

# Line Pressure Regulators

## FLR-1 Series Compact Diaphragm Regulators

### Features

- ⦿ Similar to FCR-1 Series Regulators with larger orifice to provide higher flow capacity
- ⦿ Three porting configurations available
- ⦿ 316L SS body for corrosive or toxic gases, Nickel-plated Brass body for non-corrosive gases
- ⦿ With special cleaning and packaging, applicable to oxygen-enriched environments
- ⦿ Configuration with filter installed at inlet as standard
- ⦿ Panel mounted or installed with screw at the bottom

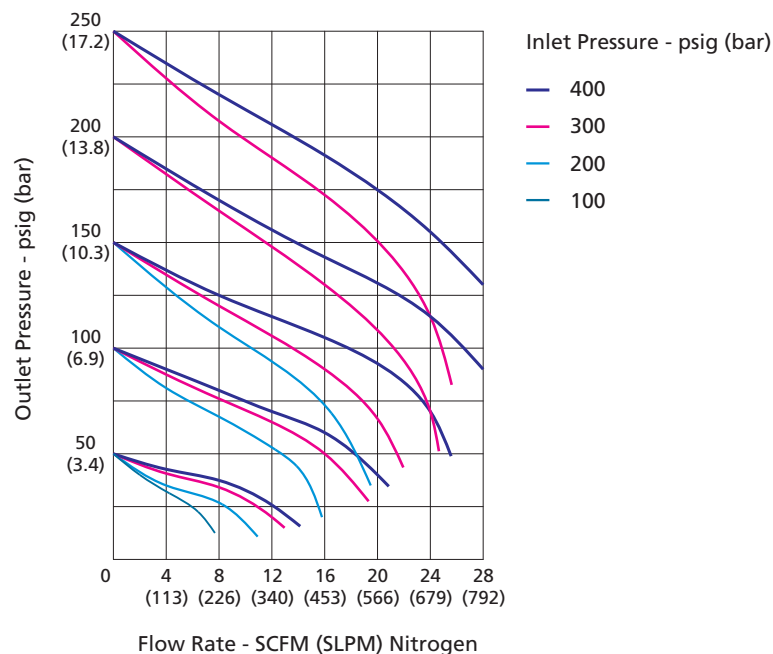
### Technical Data

- ⦿ Single-stage regulator
- ⦿ Maximum inlet pressure: 500 or 1500 psig
- ⦿ Outlet pressure range: 0~25, 0~50, 0~100 or 0~250 psig
- ⦿ Material of the internal components:
  - Seat: PCTFE
  - Diaphragm: Hastelloy
  - Filter: 316L
- ⦿ Temperature:  $-40^{\circ}\text{F} \sim +165^{\circ}\text{F}$  ( $-40^{\circ}\text{C} \sim +74^{\circ}\text{C}$ )
- ⦿ Leak rates:
  - Internal:  $\leq 1 \times 10^{-7}$  mbar·l/s helium
  - External:  $\leq 1 \times 10^{-9}$  mbar·l/s helium
- ⦿ Flow coefficient (Cv): 0.14
- ⦿ Weight (regulator only):  $\approx 1.98$  lbs (0.9 kg)
- ⦿ Body ports: 1/4" female NPT for inlet, outlet and gauge



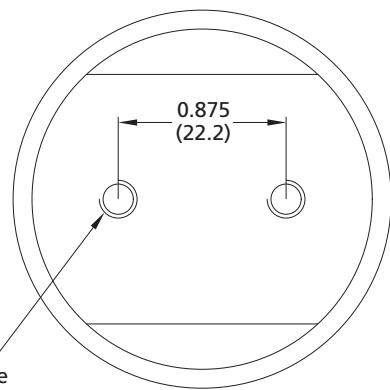
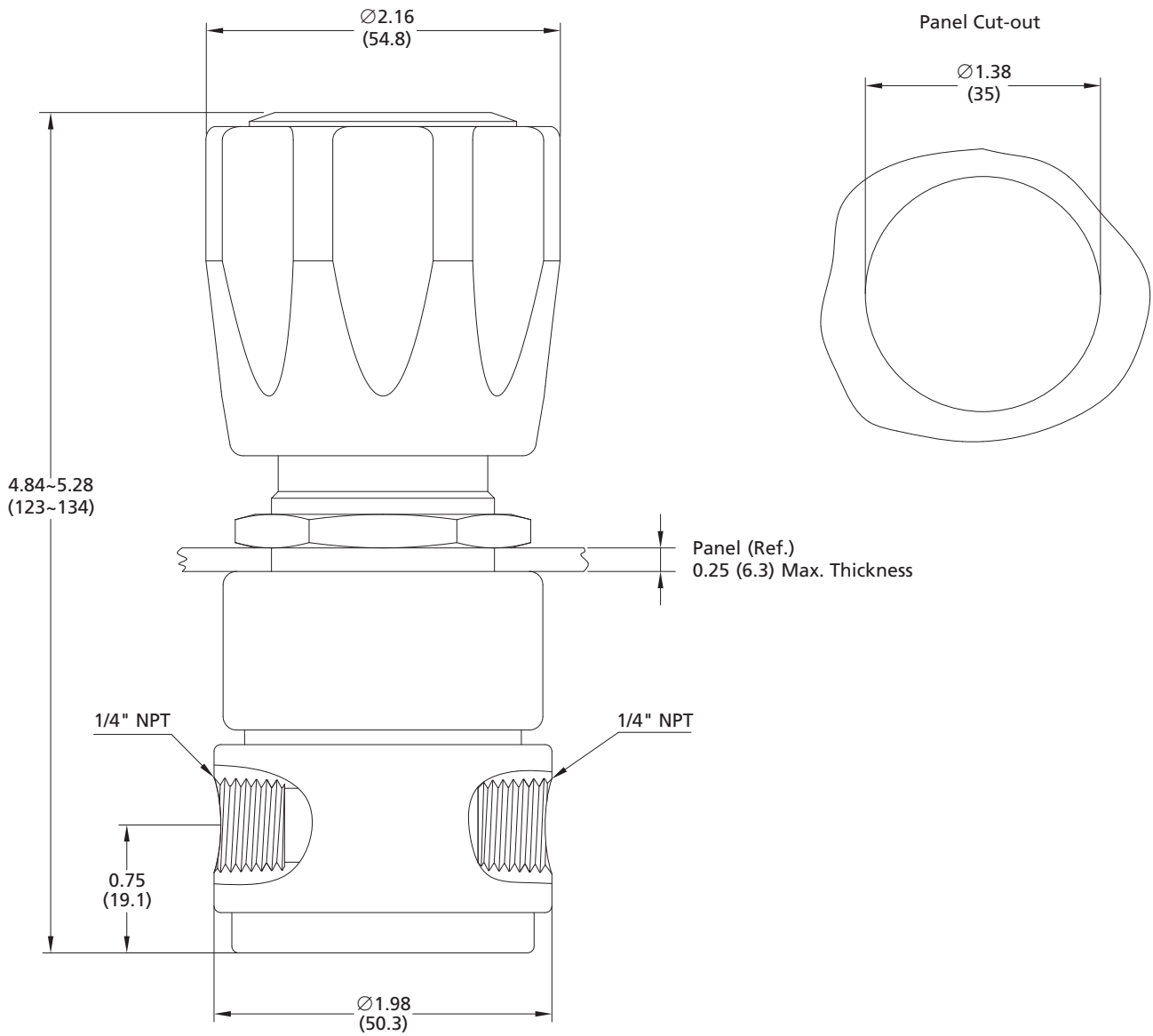
Model: FLR-16L-15-100-00-00-Z

### Typical Flow Chart

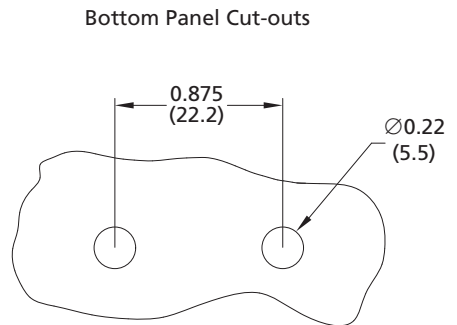


## Dimensions

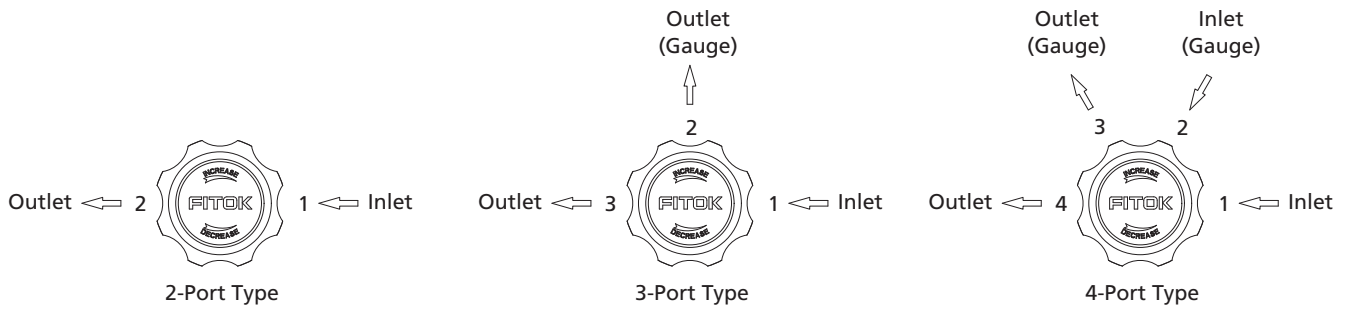
Dimensions, in inches (millimeters), are for reference only.



2xM5x0.8-6H thread  
The holes are compatible with 10-32 mounting screws



# Porting Configurations



## Part Number Description

FLR - 16L - 15 - 100 - 00 - B - B - 00 - Z

Body Material	Inlet Pressure P1	Connection 1	Connection 2	Connection 3	Connection 4	Installation Type
6L 316L SS	05 500 psig	00 1/4" Female NPT	B With Gauge (psi/bar)	Same as Connection 2	Same as Connection 1	Not Required
SS 316 SS	15 1500 psig	01 1/4" Male NPT	M With Gauge (MPa)			Z Installed with One Panel Nut
HC Hastelloy C-276		10 1/4" Tube Fitting	P Plug			N Installed with Screws at the Bottom
B Brass (Nickel-plated)		11 3/8" Tube Fitting	00 1/4" Female NPT			
		20 6 mm Tube Fitting	01 1/4" Male NPT			
		21 8 mm Tube Fitting	10 1/4" Tube Fitting			
		Other connections are available upon request	11 3/8" Tube Fitting			
			20 6 mm Tube Fitting			
			21 8 mm Tube Fitting			
			Other connections are available upon request			

Outlet Pressure Range P2
25 0~25 psig
50 0~50 psig
100 0~100 psig
250 0~250 psig

Note: Most configurations are available.

Examples of part number:

a. 2-port type (1 in, 1 out): FLR-16L-15-25-00-00

b. 3-port type (1 in, 2 out): FLR-16L-05-100-00-B-00



Gas Control Equipment

Related Products

Technical References