

Line Pressure Regulators

FLR-2 Series Piston Regulators

Features

- ⦿ Applicable to non-corrosive gases or low-viscosity liquids
- ⦿ Easy to assemble and disassemble, convenient replacement of springs with different output ranges
- ⦿ Robust piston-sensed design to provide safety and reliability
- ⦿ With special cleaning and packaging, applicable to oxygen-enriched environments
- ⦿ Three porting configurations available
- ⦿ Panel mounted or installed with screws at the bottom

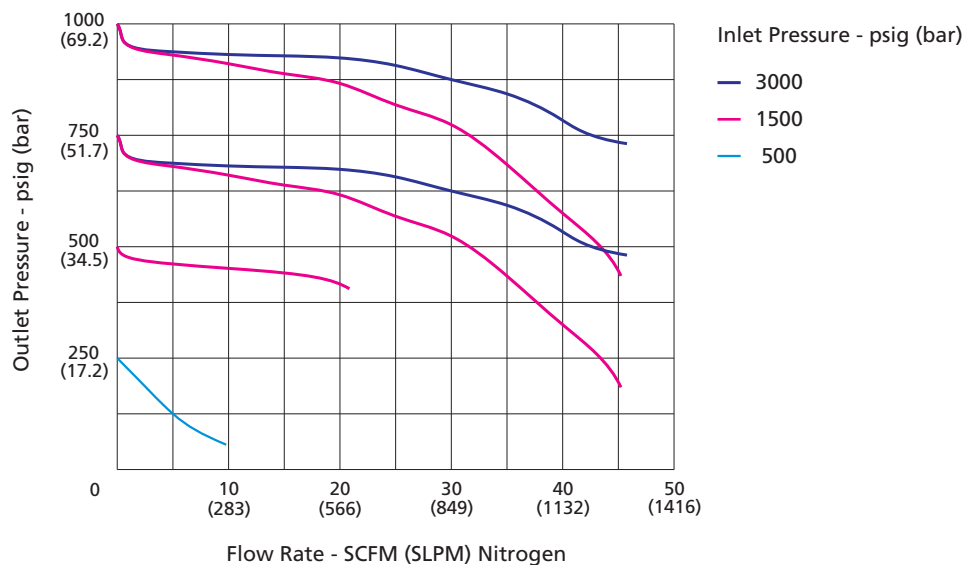
Technical Data

- ⦿ Single-stage regulator
- ⦿ Maximum inlet pressure: 3000 or 4500 psig
- ⦿ Outlet pressure range: 0~250, 0~500, 0~750 or 0~1000 psig
- ⦿ Material of the internal components:
 - Main Seat: PCTFE (PEEK for Venting Model)
 - Vent Seat: PCTFE
 - Piston: 316L
 - O-ring: Viton or Kalrez
 - Filter: 316L
- ⦿ Temperature: -15°F~+165°F (-26°C~+74°C)
- ⦿ Leak rates:
 - Internal: Bubble-tight
 - External: Bubble-tight
- ⦿ Flow coefficient (Cv):
 - Without vent: 0.06
 - Vent: 0.1
- ⦿ Weight (regulator only): ≈1.98 lbs (0.9 kg)
- ⦿ Body ports: 1/4" female NPT for inlet, outlet and gauge



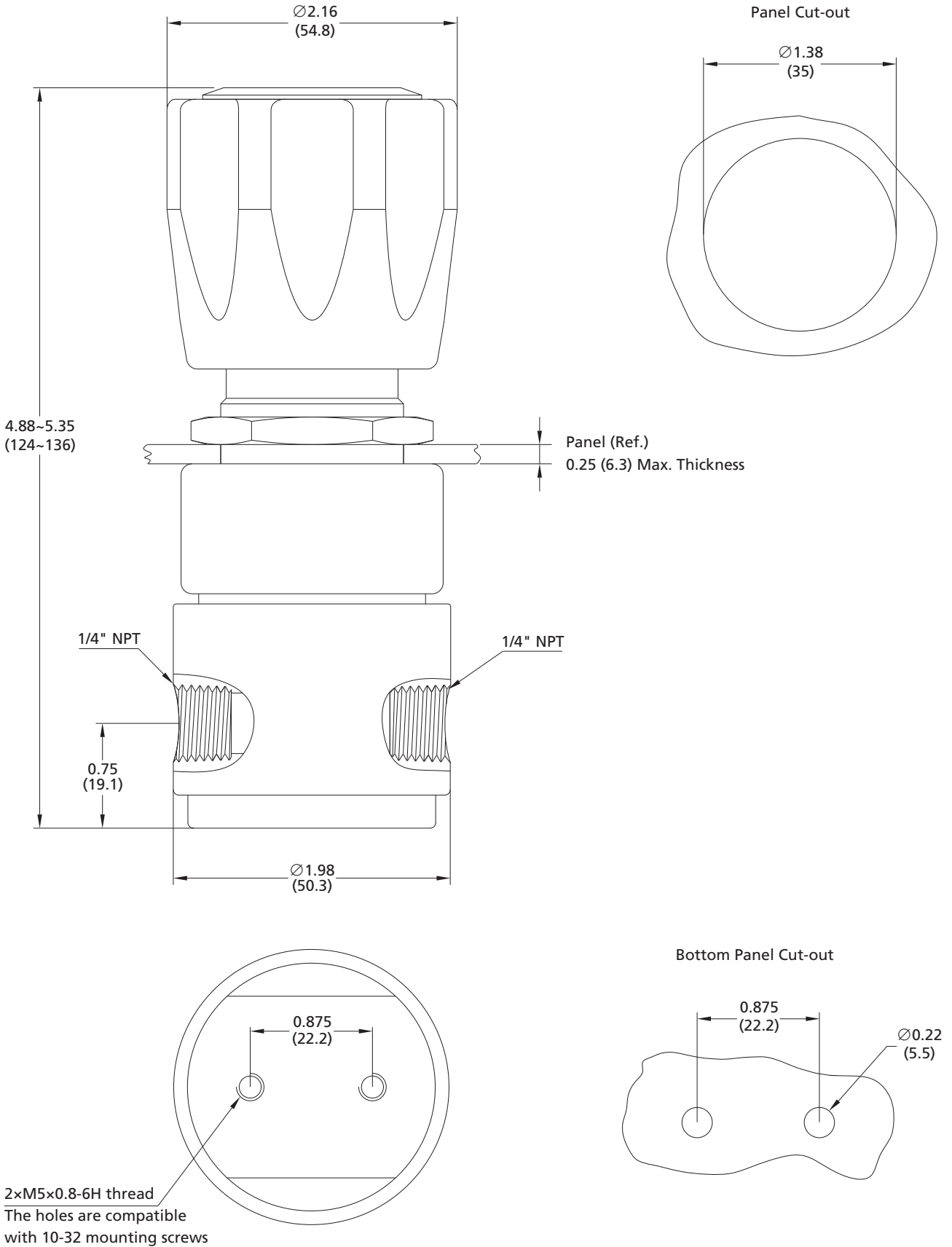
Model: FLR-2SS-45-1000-00-00-Z

Typical Flow Chart

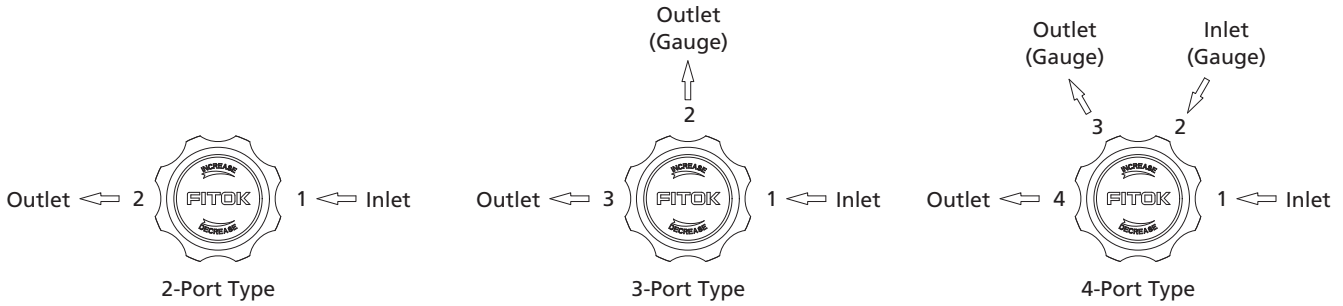


Dimensions

Dimensions, in inches (millimeters), are for reference only.



Porting Configurations



Gas Control Equipment

Related Products

Technical References

Part Number Description

FLR - 2V Z 6L - 45 - 500 - 10 - B - B - 10 - Z

Vent Option	Inlet Pressure P1	Connection 1	Connection 2	Connection 3	Connection 4
Without	30 3000 psig	00 1/4" Female NPT	B With Gauge (psi/bar)	Same as Connection 2	Same as Connection 1
V With	45 4500 psig	01 1/4" Male NPT	M With Gauge (MPa)		
O-ring Material	Outlet Pressure Range P2	10 1/4" Tube Fitting	P Plug		Installation Type
Viton	250 0~250 psig	11 3/8" Tube Fitting	00 1/4" Female NPT		Not Required
Z Kalrez	500 0~500 psig	20 6 mm Tube Fitting	01 1/4" Male NPT		Z Installed with One Panel Nut
Body Material	750 0~750 psig	21 8 mm Tube Fitting	10 1/4" Tube Fitting		N Installed with Screws at the Bottom
6L 316L SS	1000 0~1000 psig	Other connections are available upon request	11 3/8" Tube Fitting		
SS 316 SS			20 6 mm Tube Fitting		
B Brass (Nickel-plated)			21 8 mm Tube Fitting		
			Other connections are available upon request		

Note: Most configurations are available.

Examples of part number:

a. 2-port type (1 in, 1 out): FLR-26L-30-250-00-00

b. 3-port type (1 in, 2 out): ,FLR-2SS-45-1000-00-00-00