

# Pressure Control Panels

## FSR-2 Series High Pressure Control Panels for Single Cylinder

### Features

- ⦿ With a FCR-2 Series Regulator
- ⦿ Applicable to non-corrosive gases or low-viscosity liquids
- ⦿ With vent valves to relieve residual pressure quickly, easy and safe to remove and replace gas source
- ⦿ Venting model available
- ⦿ Anodized Aluminium panel
- ⦿ Bracket mounting as standard

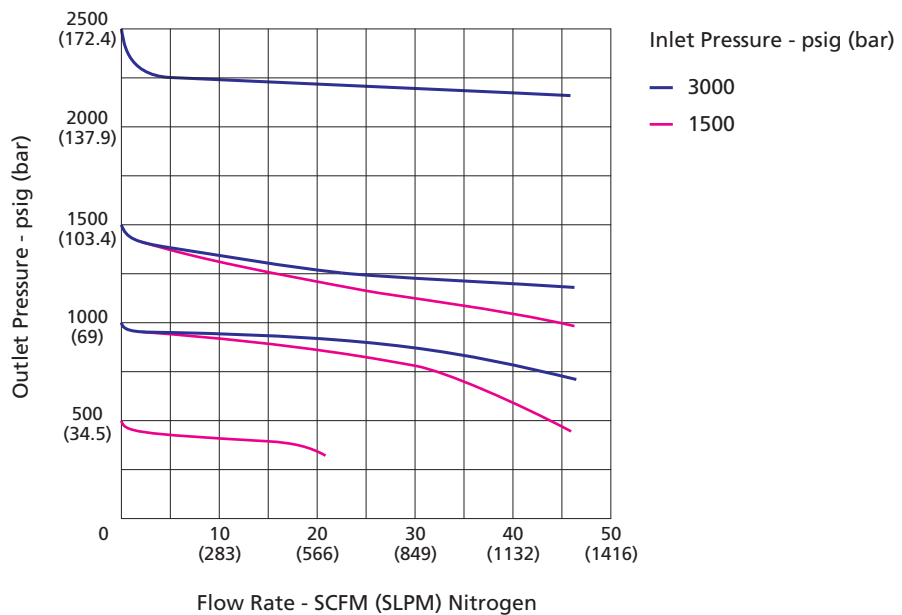


Model: FSR-2Z6L-45-750-00-B-B-00-P-P

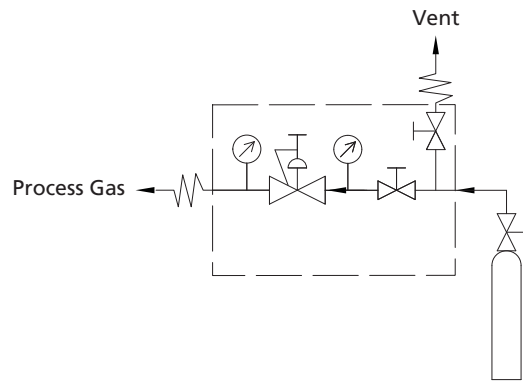
### Technical Data

- ⦿ Maximum inlet pressure: 3000 or 4500 psig
- ⦿ Outlet pressure range: 0~750, 0~1500 or 0~2500 psig
- ⦿ Material of the main components:
  - Seat: PCTFE (regulator and diaphragm valve)
  - Piston: 316L
  - Diaphragm: Elgiloy (diaphragm valve)
  - Diaphragm valve body: 316L
  - O-ring: Viton or Kalrez
  - Filter: 316L
- ⦿ Temperature: -10°F~+150°F (-23°C~+65°C)
- ⦿ Leak rates:
  - Internal: Bubble-tight
  - External: Bubble-tight
- ⦿ Flow coefficient (regulator Cv):
  - Without vent: 0.06
  - With vent: 0.1

### Typical Flow Chart

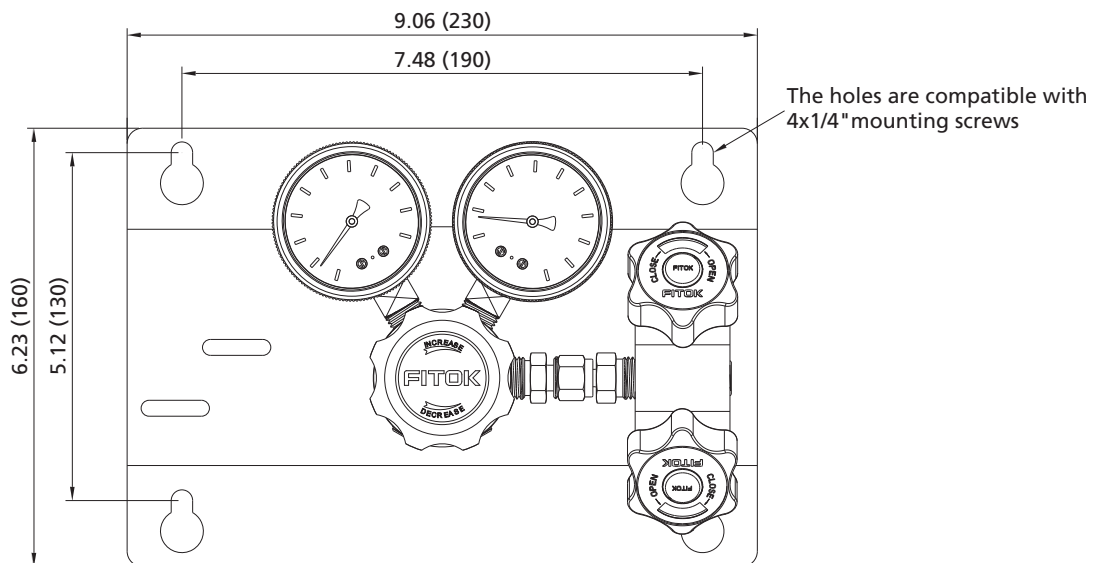
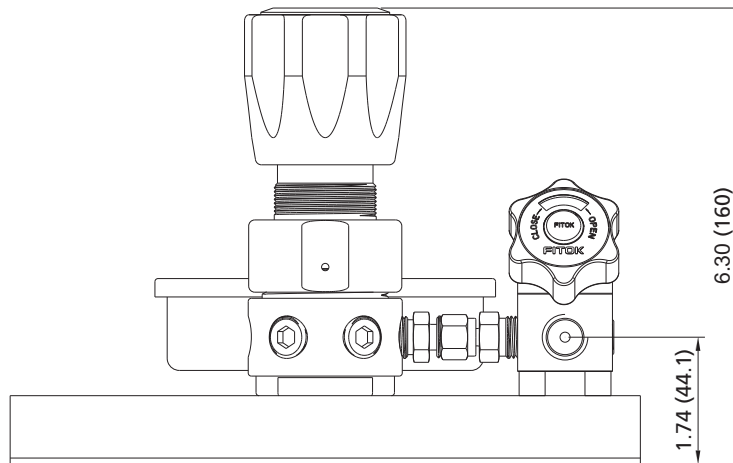


## Flow Schematic

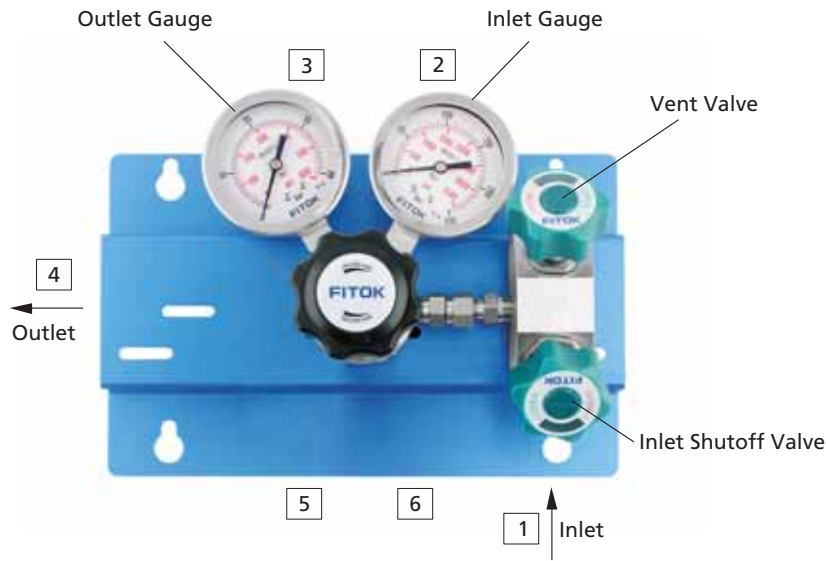


## Dimensions

Dimensions, in inches (millimeters), are for reference only.



# Components Introduction



## Part Number Description

**FSR - 2V Z 6L - 30 - 1500 - 00 - B - B - 30 - P - P**

Vent Option	Inlet Pressure P1	Outlet Pressure Range P2	Connection 1	Connection 2	Connection 3	Connection 4	Connection 5	Connection 6
Without	30 3000 psig	750 0~750 psig	00 1/4" Female NPT	B With Gauge (psi/bar)	Same as Connection 2	00 1/4" Female NPT	R Relief Valve	
V With	45 4500 psig	1500 0~1500 psig	01 1/4" Male NPT	M With Gauge (MPa)		01 1/4" Male NPT	P Plug	
		2500 0~2500 psig	10 1/4" Tube Fitting	P Plug		10 1/4" Tube Fitting	00 1/4" Female NPT	
			11 3/8" Tube Fitting	00 1/4" Female NPT		11 3/8" Tube Fitting		
			20 6 mm Tube Fitting			20 6 mm Tube Fitting		Connection 6
			21 8 mm Tube Fitting			21 8 mm Tube Fitting		Same as Connection 5
			Other connections are available upon request			30 Diaphragm Valve with 1/4" Female NPT		
						31 Diaphragm Valve with 1/4" Male NPT		
						32 Diaphragm Valve with 1/4" Tube Fitting		
						33 Diaphragm Valve with 3/8" Tube Fitting		
						34 Diaphragm Valve with 6 mm Tube Fitting		
						35 Diaphragm Valve with 8 mm Tube Fitting		
						Other connections are available upon request		

Note: Most configurations are available.