

# Line Pressure Regulators

## HPL-06 Series High Pressure High Flow Regulators

### Features

- ⦿ For high pressure and high flow applications
- ⦿ Large piston sensor gives excellent sensitivity
- ⦿ Balanced valve design ensures stable downstream pressure
- ⦿ Three porting configurations available
- ⦿ Panel mounting available
- ⦿ With special cleaning and packaging, applicable to oxygen-enriched environments

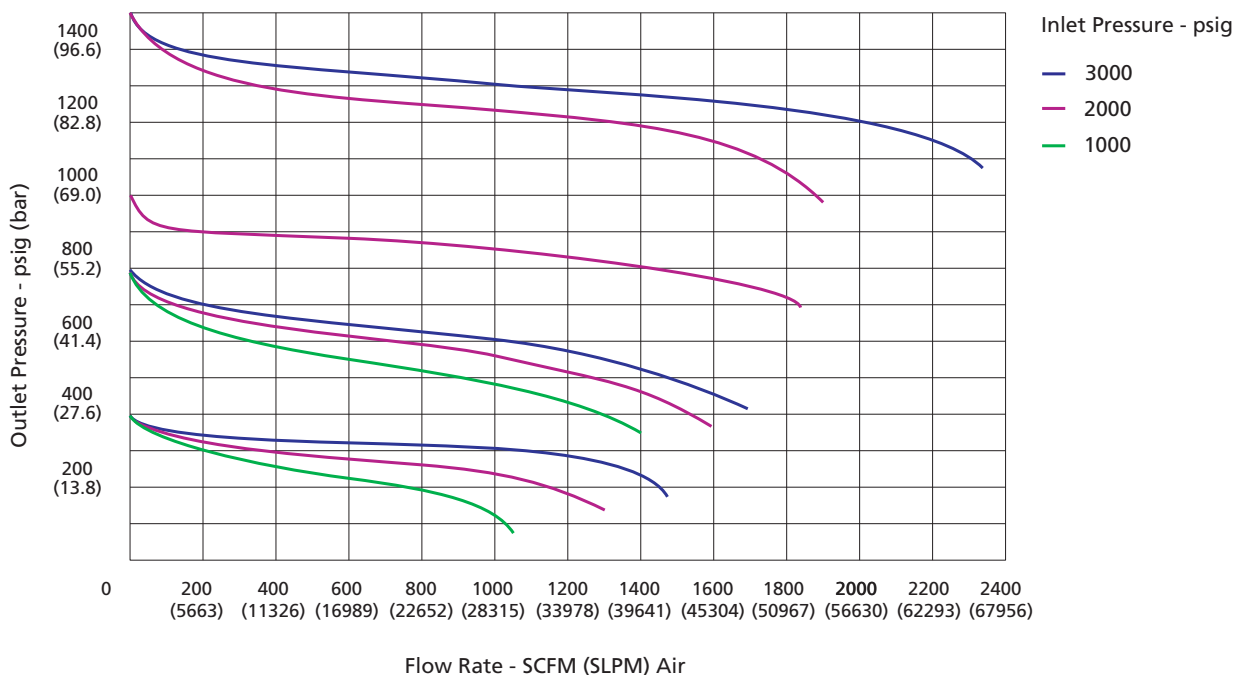
### Technical Data

- ⦿ Maximum inlet pressure:  
Stainless steel: 4500 psig  
Brass: 3750 psig
- ⦿ Outlet pressure ranges: 0~300, 0~600, 0~1000, 0~1500 psig
- ⦿ Material of the main components:  
Body: 316 SS or brass  
Seat: PCTFE  
Piston: 316L  
O-rings: Viton or Kalrez
- ⦿ Temperature: -15°F~+220°F (-26°C~+104°C)
- ⦿ Leak rates:  
Internal: Bubble-tight  
External: Bubble-tight
- ⦿ Flow coefficient (Cv): 2.0
- ⦿ Weight (regulator only): ≈ 6.25 lbs (2.83 Kg)
- ⦿ Body ports: 1/2" female NPT for inlet, outlet,  
1/4" female NPT for gauge



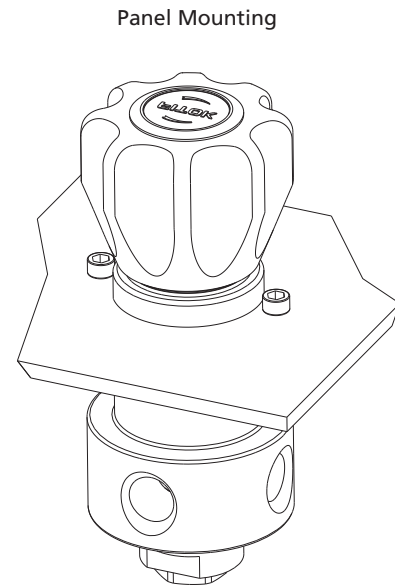
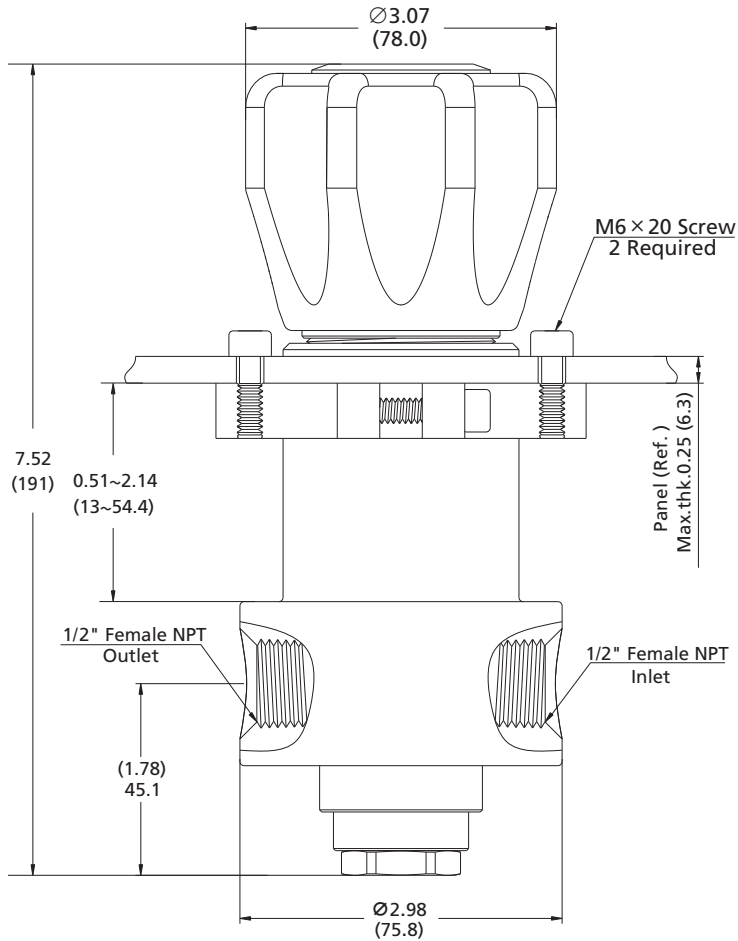
Model: HPL-06SS-45-1000-04-04-Z

### Typical Flow Chart

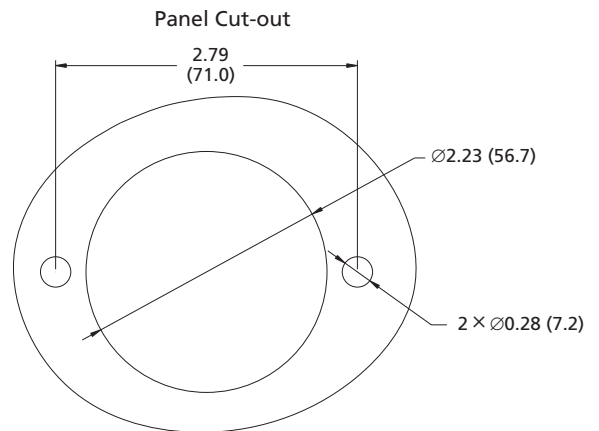
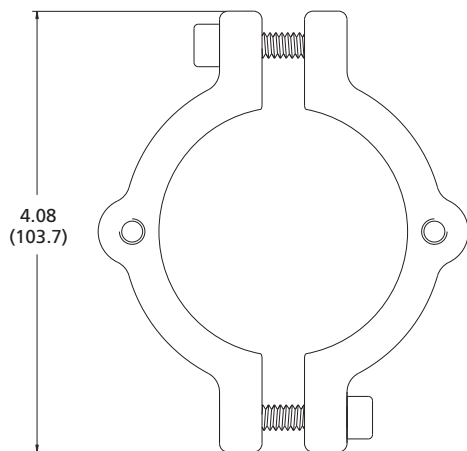


## Dimensions

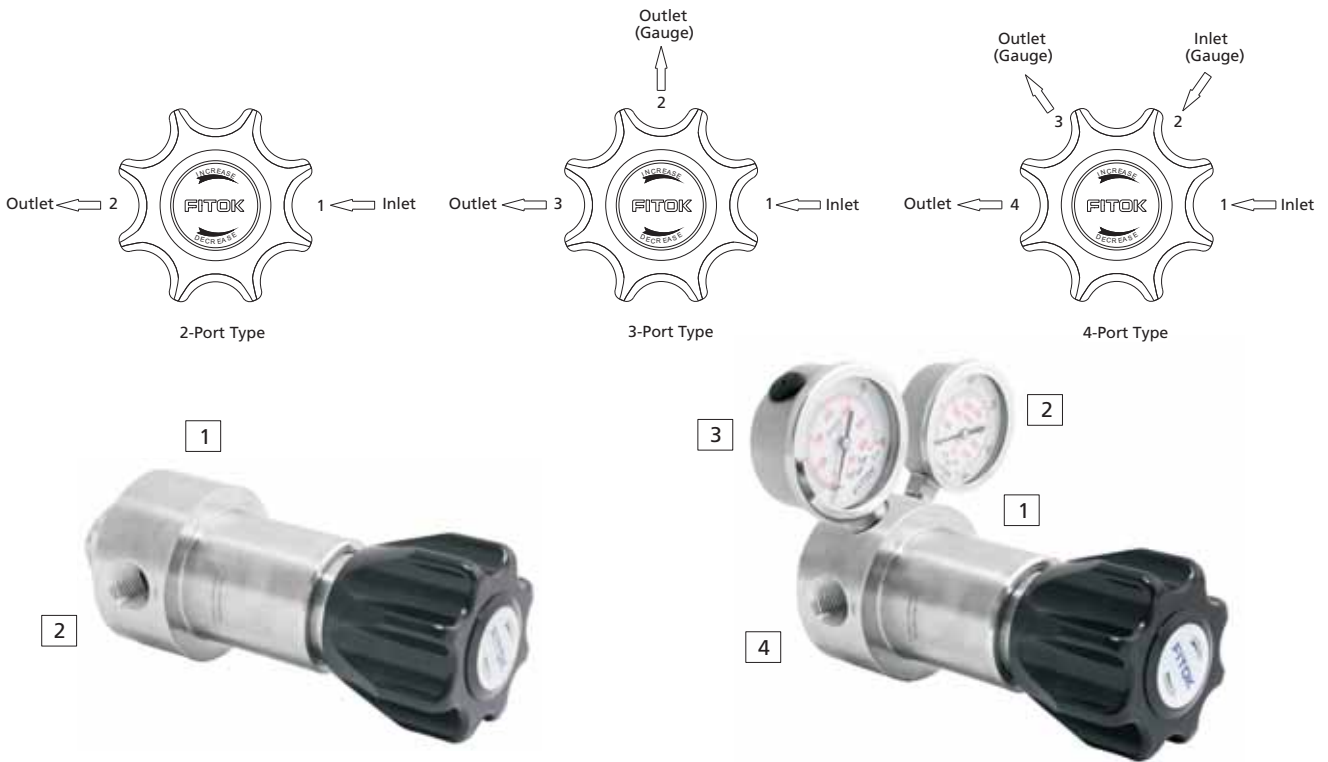
Dimensions, in inches (millimeters), are for reference only.



Panel Mounting Kit



## Porting Configurations



## Part Number Description

Vent Option	Body Material	Inlet Pressure P1	Connection 1	Connection 2	Connection 3
Without	SS 316 SS	37 3750 psig	04 1/2" Female NPT	B With Gauge (psi/bar)	Same as Connection 2
V With	6L 316L SS	45 4500 psig	05 3/4" Female NPT	M With Gauge (MPa)	
	B Brass (Max. Inlet Pressure 3750 psig)	<b>Outlet Pressure Range P2</b>	14 3/4" Tube Fitting	P Plug	<b>Connection 4</b>
		300 0~300 psig	25 16 mm Tube Fitting	00 1/4" Female NPT	Same as Connection 1
		600 0~600 psig	26 18 mm Tube Fitting	01 1/4" Male NPT	
		1000 0~1000 psig	Other connections are available upon request	10 1/4" Tube Fitting	<b>Panel Mount</b>
		1500 0~1500 psig		11 3/8" Tube Fitting	Without
				20 6 mm Tube Fitting	Z With
				21 8 mm Tube Fitting	
				Other connections are available upon request	

Note: Most configurations are available.

Examples of part number:

a. 2-Port type (1 in, 1 out): HPL-06B-37-600-04-04

b. 3-Port type (1 in, 2 out): HPL-066L-45-1000-04-B-04

c. 4-Port type (2 in, 2 out): HPL-06SS-45-1500-04-B-B-04