

High Pressure Regulators

HPR-10 Series High Pressure Piston Regulators

Features

- ⦿ 316 Stainless steel or brass body optional
- ⦿ Robust piston sensed design
- ⦿ Stable outlet pressure and easy tune
- ⦿ 7 different outlet pressure ranges
- ⦿ All pressure ranges can be vented to 0 psig
- ⦿ Applicable to general gases or liquid
- ⦿ Panel mountable

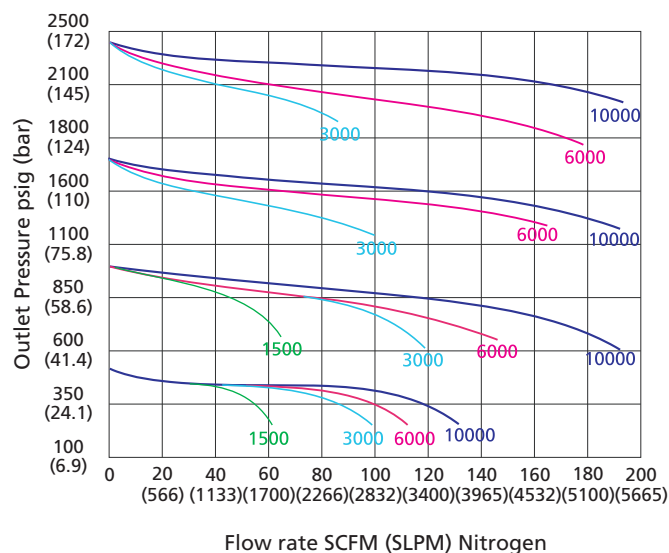
Technical Data

- ⦿ Maximum inlet pressure:
Stainless: 10000 psig
Brass: 6000 psig
- ⦿ Outlet pressure range: 10~500, 15~800, 15~1500, 30~2500, 50~4000, 60~6000 or 200~10000 psig
- ⦿ Materials of the internal components:
Seat: PEEK
Piston: 316L
O-rings: Viton or NBR
Filter: 316L
- ⦿ Temperature: -15°F~+165°F (-26°C~+74°C)
- ⦿ Leak rates:
Internal: Bubble-tight
External: Bubble-tight
- ⦿ Flow coefficient (Cv): 0.06
- ⦿ Weight: ≈5.75 lbs (2.6 kg)
- ⦿ Body ports: 1/4" female NPT for inlet, outlet and gauge



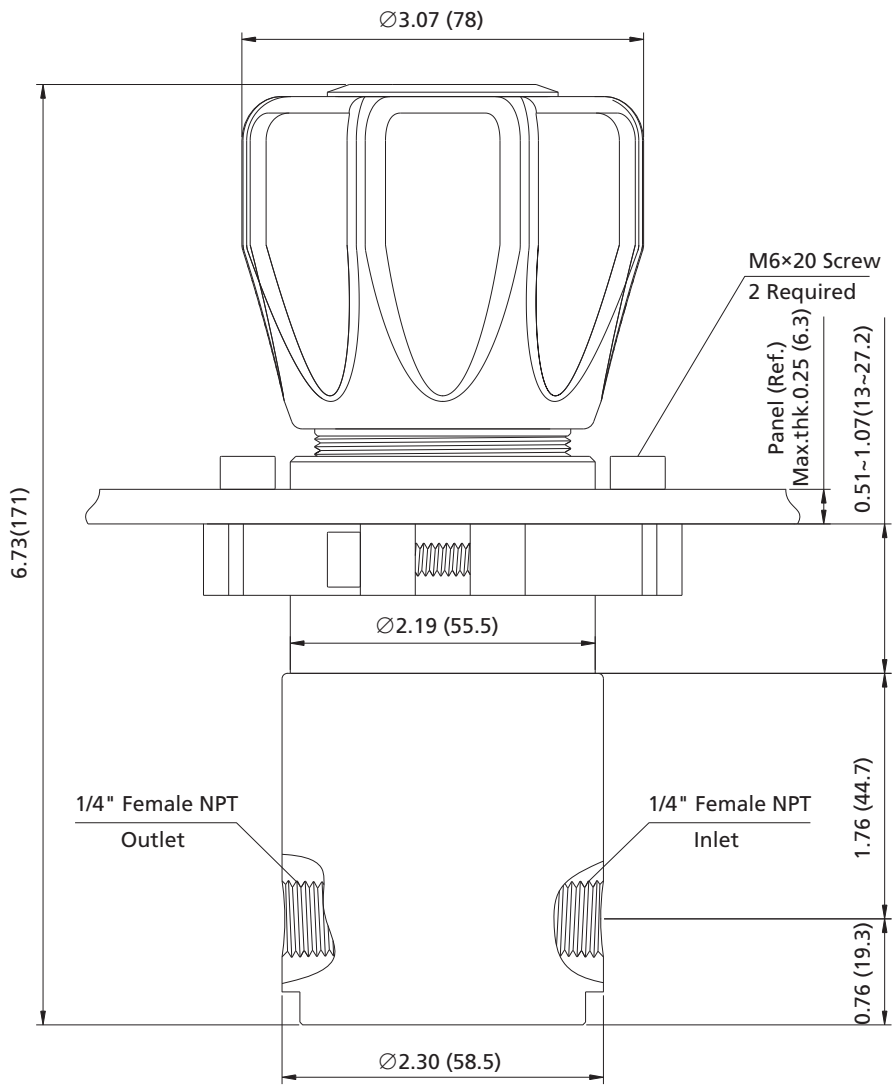
Model: HPR-10SSN-100-100-00-00-ZV

Flow Chart

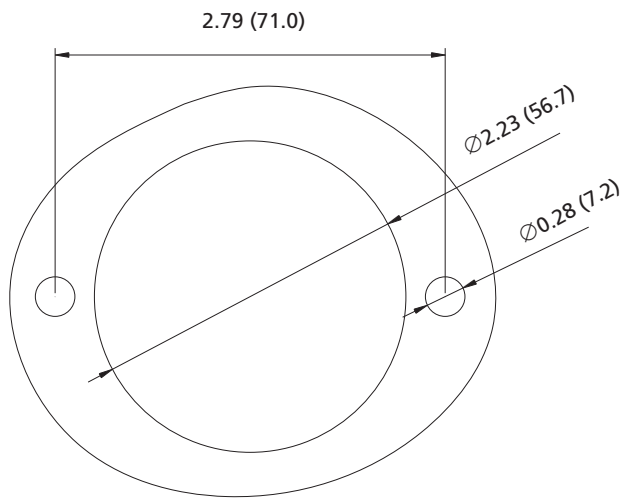


Dimensions

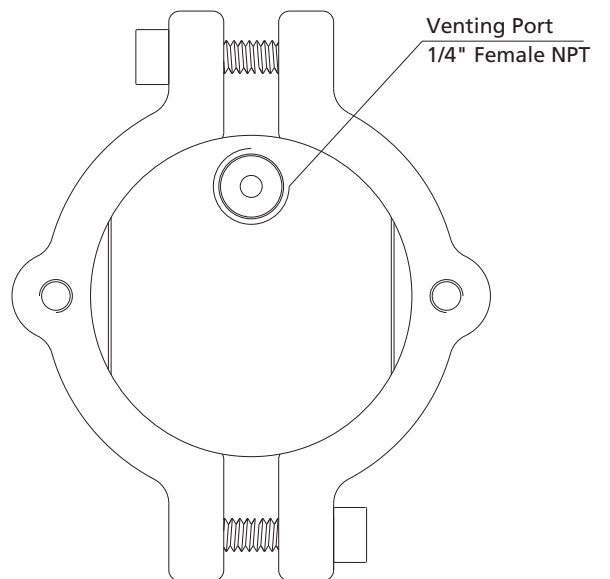
Dimensions, in inches (millimeters), are for reference only.



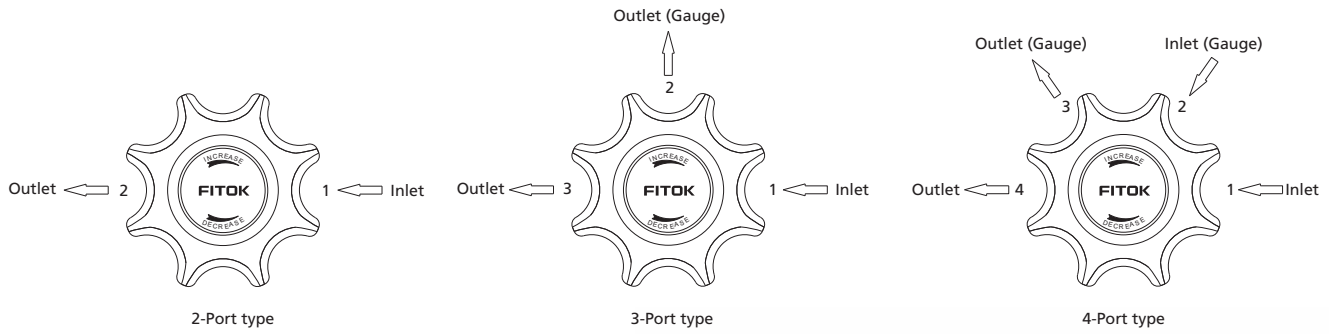
Panel Cut-outs



Bottom View



Porting Configurations



Gas Control Equipment

Related Products

Technical References

Part Number Description

HPR - 10BN - 60 - 10 - 12 - B - B - 00 - ZV-F2

Body Material	Inlet Pressure P1	Connection 1	Connection 2	Connection 3	Panel Mount
SS 316 SS	60 6000 psig	00 1/4" Female NPT	B With Gauge (psi/bar)	Same as Connection 2	Without
B Brass (Max. Inlet Pressure 6000 psig)	100 10000 psig	01 1/4" Male NPT	M With Gauge (MPa)		Z With
O-ring Material	Outlet Pressure Range P2	10 1/4" Tube Fitting	P Plug	Connection 4	Vent Option
Viton	5 10~500 psig	11 3/8" Tube Fitting	00 1/4" Female NPT	Same as Connection 1	Without
N NBR	8 15~800 psig	20 6 mm Tube Fitting	01 1/4" Male NPT		V With
	15 15~1500 psig	21 8 mm Tube Fitting	10 1/4" Tube Fitting		Product Technology Grade
	25 30~2500 psig	Other connections are available upon request	11 3/8" Tube Fitting		General Purpose
	40 50~4000 psig		20 6 mm Tube Fitting		F2 Special Cleaning and Packaging
	60 60~6000 psig		21 8 mm Tube Fitting		
	100 200~10000 psig		Other connections are available upon request		

Note: Most configurations are available but not everyone.
 Venting port can not be blocked.
 For liquid services, install the regulator with the venting port pointed vertically down.
 Examples of part number:
 a. 2-port type (1 in, 1 out): HPR-10SS-60-40-00-00
 b. 3-port type (1 in, 2 out): HPR-10B-60-60-00-B-00
 c. 4-port type (2 in, 2 out): HPR-10SS-100-25-00-B-B-00