

Subsea Valves

Fittings
Tubing
Quick Couplings
Line Filters
Valves
Sour Service Products
Subsea Valves
Tools and Installation Instructions
Technical Information
Part Number Crossover Charts



Contents

Subsea Ball Valves	G-04
Subsea Hydraulic Ball Valves	G-12
Subsea Check Valves	G-14
Subsea Needle Valves	G-17
Subsea Hydraulic Needle Valves	G-20
Subsea Hydraulic Directional Control Valves	G-23

Fittings

Tubing

Quick Couplings

Line Filters

Valves

Sour Service Products

Subsea Valves

Tools and Installation Instructions

Technical Information

Part Number Crossover Charts

Subsea Ball Valves

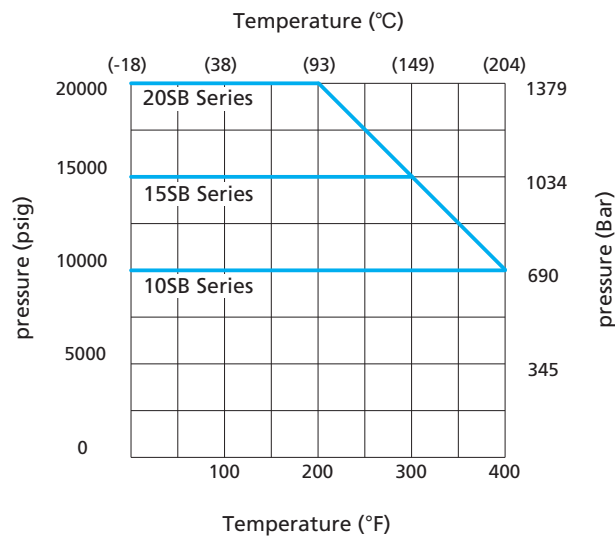
2-way Valves, 3-way Valves

Features

- Working pressure up to 20,000 psig (1379 bar)
- Maximum external pressure: 6,000 psig (414 bar)
- NBR O-ring for operation from -10 to 250°F (-23 to 121°C); other O-ring materials available
- High tensile 316 stainless steel or S17400 stainless steel as standard material for valve body
- NACE MR0175 optional
- Paddle assembly (PA) optional
- PEEK seats offer excellent resistance against chemicals, heat and abrasion
- Full-port flow path to minimize pressure drop
- 2-way and 3-way valve configurations
- Bidirectional flow for 2-way valves
- Wide selection of tube and pipe end fittings available
- A variety of wetted materials optional
- Maximum water depth: 13,800 ft. (4200 m)



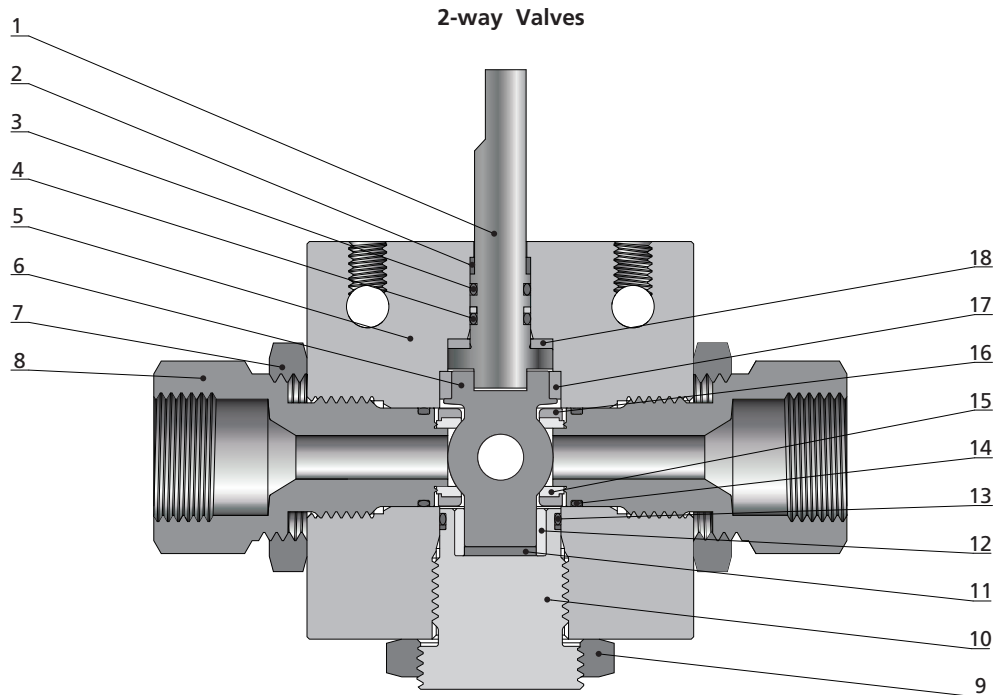
Pressure vs. Temperature Curve



NOTE: The maximum allowable working pressure drops if the side connection works as inlet.

Fittings
Tubing
Quick Couplings
Line Filters
Valves
Sour Service Products
Subsea Valves
Tools and Installation Instructions
Technical Information
Part Number Crossover Charts

Standard Materials of Construction



Item	Component	Material Grade
1	<i>Ball Stem</i>	316SS
2	StemBackup	PEEK
3	O-Ring	NBR
4	<i>O-Ring</i>	<i>NBR</i>
5	<i>Body</i>	<i>316 SS / S17400 SS(For Orifice No. 16 only)</i>
6	<i>Ball</i>	<i>316SS</i>
7	LockNut	316 SS
8	<i>SeatGland</i>	<i>316 SS / S17400 SS(For Orifice No. 16 only)</i>
9	LockingPiece	316SS
10	<i>BottomGland</i>	<i>316 SS / S17400 SS(For Orifice No. 16 only)</i>
11	<i>Bottom Thrust washer</i>	<i>PEEK</i>
12	<i>Bearing</i>	<i>PEEK</i>
13	<i>O-Ring</i>	<i>NBR</i>
14	<i>O-Ring</i>	<i>NBR</i>
15	<i>Seat</i>	<i>PEEK</i>
16	<i>Seat Retainer</i>	<i>316SS</i>
17	<i>Bearing</i>	<i>PEEK</i>
18	<i>Thrust Washer</i>	<i>PEEK</i>
	Lubricant	MolybdenumDisulfide#luorinated-based

Wetted components listed in italics.

Fittings

Tubing

Quick Couplings

Line Filters

Valves

Sour Service Products

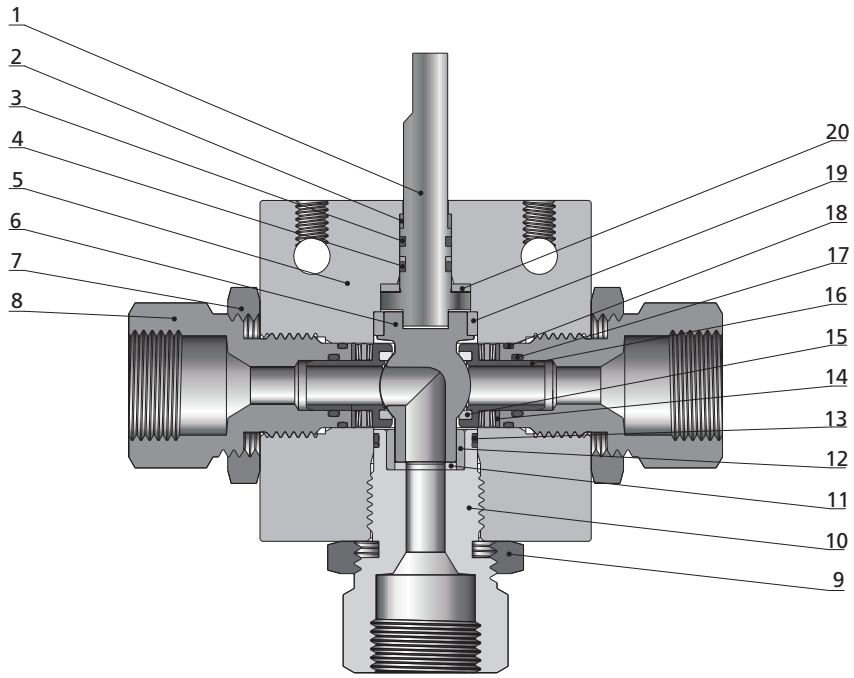
Subsea Valves

Tools and Installation Instructions

Technical Information

Part Number Crossover Charts

3-way Valves

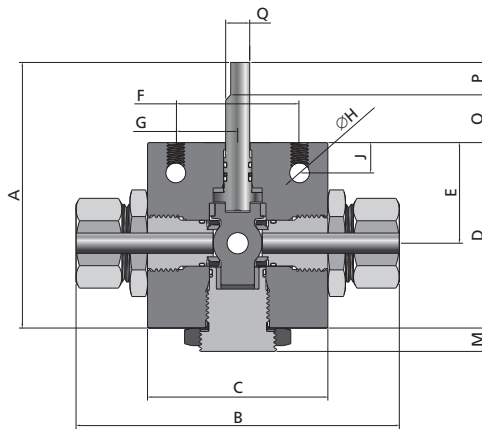


Item	Component	Material Grade
1	<i>Ball Stem</i>	316 SS
2	Stem Backup	PEEK
3	O-Ring	NBR
4	<i>O-Ring</i>	<i>NBR</i>
5	<i>Body</i>	<i>316 SS</i>
6	<i>Ball</i>	<i>316 SS</i>
7	Lock Nut	316 SS
8	<i>SeatGland</i>	<i>316 SS</i>
9	Locking Piece	316SS
10	<i>Bottom Gland</i>	<i>316SS</i>
11	<i>Bottom Thrust washer</i>	<i>PEEK</i>
12	<i>Bearing</i>	<i>PEEK</i>
13	O-Ring	NBR
14	<i>Belleville Washer</i>	<i>S17700</i>
15	<i>Seat</i>	<i>PEEK</i>
16	<i>Seat Retainer</i>	<i>S17700</i>
17	O-Ring	NBR
18	O-Ring	NBR
19	<i>Bearing</i>	<i>PEEK</i>
20	<i>Thrust Washer</i>	<i>PEEK</i>
	Lubricant	MolybdenumDisulfide/Fluorinated-based

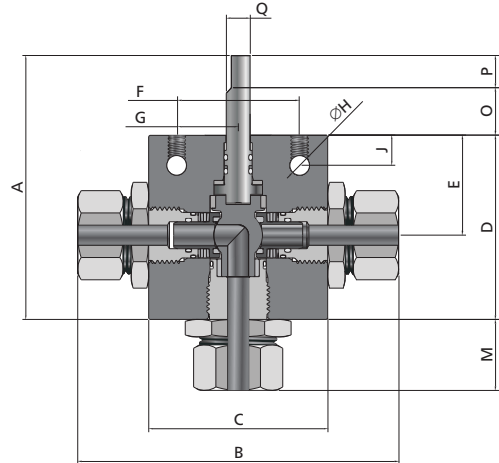
Wetted components listed in italics.

Fittings
 Tubing
 Quick Couplings
 Line Filters
 Valves
 Sour Service Products
 Subsea Valves
 Tools and Installation Instructions
 Technical Information
 Part Number Crossover Charts

Dimensions



2-way Valves



3-way Valves

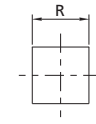
Flow Pattern	Orifice No.	Dimensions, in. (mm)										
		A	B	C	D	E	F	G	H	J	M	Block Thickness
2-way	4	4.31 (109.3)	4.20 (106.8)	2 (50.8)	2.53 (64.2)	1.28 (32.5)	1.5 (38.1)	0.75 (19.05)	0.28 (7.1)	0.43 (10.9)	0.35 (8.8)	1 (25.4)
	6	5.94 (150.8)	5.53 (140.4)	3 (76.2)	3.43 (87.3)	1.78 (45.2)	2.5 (63.5)	1.25 (31.75)	0.31 (7.9)	0.41 (10.3)	0.35 (8.8)	1.38 (34.9)
	8	6.67 (169.5)	7.72 (196.2)	4.12 (104.6)	4.23 (107.5)	2.07 (52.4)	3 (76.2)	1.5 (38.1)	0.31 (7.9)	0.5 (12.7)	0.61 (15.5)	1.75 (44.5)
	16	10.82 (274.8)	12.30 (312.4)	6.24 (158.6)	6.65 (169.0)	3.20 (81.3)	4 (101.6)	2 (50.8)	0.41 (10.4)	0.63 (15.9)	0.89 (22.5)	3.38 (85.7)
3-way	4	4.34 (110.2)	4.70 (119.5)	2.5 (63.5)	2.56 (65)	1.34 (34)	2 (50.8)	1 (25.4)	0.28 (7.1)	0.41 (10.3)	1.1 (28)	1 (25.4)
	8	6.67 (169.5)	7.72 (196.2)	4.12 (104.6)	4.23 (107.5)	2.07 (52.4)	3 (76.2)	1.5 (38.1)	0.31 (7.9)	0.5 (12.7)	1.45 (36.8)	1.75 (44.5)

Flow Pattern	Orifice No.	Dimensions, in. (mm)			
		O	P	Q	R
2-way	4	1.278 (32.5)	0.50 (12.7)	0.25 (6.35)	0.22 (5.48)
	6	1.24 (31.7)	1.25 (31.8)	0.44 (11.1)	0.38 (9.35)
	8	1.56 (39.7)	0.88 (22.2)	0.62 (15.9)	0.44 (11.13)
	16	2.41 (61.3)	1.75 (44.5)	1.25 (31.8)	1.00 (25.4)
3-way	4	1.28 (32.5)	0.5 (12.7)	0.25 (6.35)	0.22 (5.49)
	8	1.56 (39.7)	0.88 (22.2)	0.62 (15.9)	0.44 (11.13)

Ball stem connection



Orifice 4



Orifice 6/8

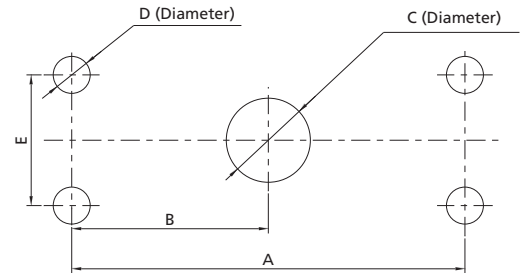
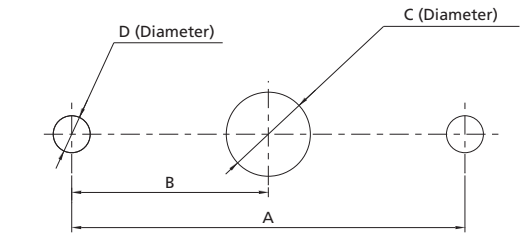
All dimensions are for reference only and are subject to change.

Fittings
Tubing
Quick Couplings
Line Filters
Valves
Sour Service Products
Subsea Valves
Tools and Installation Instructions
Technical Information
Part Number Crossover Charts

Ball Valve Panel Mounting Dimensions

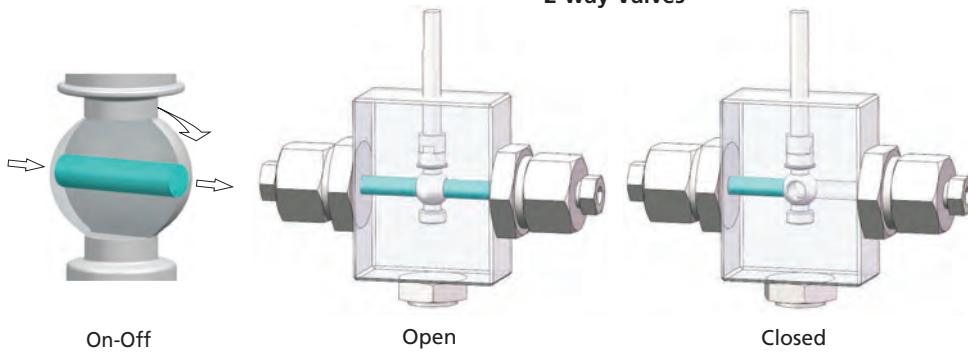
Flow Pattern	Orifice No.	Dimensions, in. (mm)			
		A	B	C	D
2-way	4	1.5 (38.1)	0.75 (19.05)	0.31 (7.9)	0.28 (7.1)
3-way	4	2 (50.8)	1 (25.4)	0.31 (7.9)	0.28 (7.1)

Flow Pattern	Orifice No.	Dimensions, in. (mm)				
		A	B	C	D	E
2-way	6	2.5 (63.5)	1.25 (31.75)	0.5 (12.7)	0.33 (8.5)	0.88 (22.3)
	8	3 (76.2)	1.5 (38.1)	0.69 (17.5)	0.33 (8.5)	1 (25.4)
	16	4 (101.6)	2 (50.8)	1.38 (35.0)	0.39 (10.0)	1.50 (38.1)
3-way	8	3 (76.2)	1.5 (38.1)	0.69 (17.5)	0.33 (8.5)	1 (25.4)

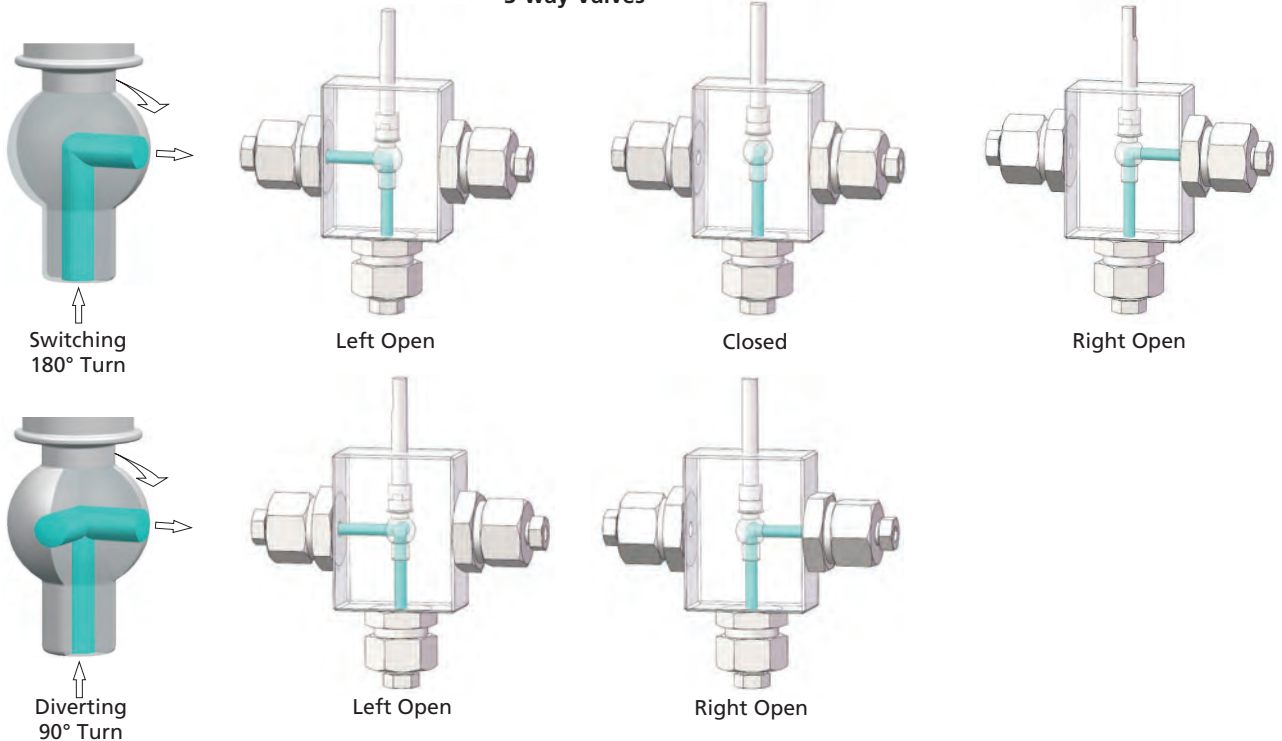


Flow Configuration

2-way Valves



3-way Valves



Fittings
 Tubing
 Quick Couplings
 Line Filters
 Valves
 Sour Service Products
 Subsea Valves
 Tools and Installation Instructions
 Technical Information
 Part Number Crossover Charts

Ordering Information and Dimensions

Ordering Number	Flow Pattern	Connection	Orifice No.	Orifice size in. (mm)	Cv	Working Pressure psig (bar)	
10SBSS-MF12-8-1	2-way	MF12	8	0.5 (12.7)	10.2	10,000 (690)	
10SBSS-MF16-8-1		MF16		0.5 (12.7)	10.2		
10SBSS-FNS12-8-1		FNS12		0.5 (12.7)	10.2		
10SBSS-FNS16-8-1		FNS16		0.5 (12.7)	10.2		
10SB4P-MF24-16-1		MF24	16	0.94 (23.8)	30.0		
10SBSS-MF12-8-2	3-way	MF12	8	0.5 (12.7)	10.2		
15SBSS-DFF4-4-1	2-way	DFF4	4	0.128 (3.25)	0.26	15,000 (1034)	
15SBSS-DFF6-4-1		DFF6		0.25 (6.35)	1.51		
15SBSS-FNS4-4-1		FNS4		0.25 (6.35)	1.51		
15SBSS-FNS6-4-1		FNS6		0.25 (6.35)	1.51		
15SBSS-FNS8-4-1		FNS8		0.25 (6.35)	1.51		
15SBSS-FNS4-6-1		FNS4	6	0.375 (9.52)	3.51		
15SBSS-FNS6-6-1		FNS6		0.375 (9.52)	3.51		
15SBSS-FNS8-6-1		FNS8		0.375 (9.52)	3.51		
15SBSS-MF12-8-1			MF12	8	0.5 (12.7)		10.2
15SBSS-FNS4-4-2		3-way	FNS4	4	0.188 (4.77)		0.5
15SBSS-FNS4-4-2D							
15SBSS-FNS6-4-2	FNS6		0.188 (4.77)		0.5		
15SBSS-FNS6-4-2D							
20SBSS-MF4-4-1	2-way	MF4	4	0.109 (2.77)	0.36	20,000 (1379)	
20SBSS-MF6-4-1		MF6		0.203 (5.16)	1.23		
20SBSS-MF9-4-1		MF9		0.25 (6.35)	1.51		
20SBSS-HF4-4-1		HF4		0.094 (2.39)	0.26		
20SBSS-HF6-4-1		HF6	0.125 (3.17)	0.47			
20SBSS-MF6-6-1		MF6	6	0.203 (5.16)	1.23		
20SBSS-MF9-6-1		MF9		0.312 (7.92)	2.93		
20SBSS-MF12-6-1		MF12		0.375 (9.52)	3.51		
20SBSS-MF4-4-2	3-way	MF4	4	0.109 (2.77)	0.17		
20SBSS-MF4-4-2D							

Fittings

Tubing

Quick Couplings

Line Filters

Valves

Sour Service Products

Subsea Valves

Tools and Installation Instructions

Technical Information

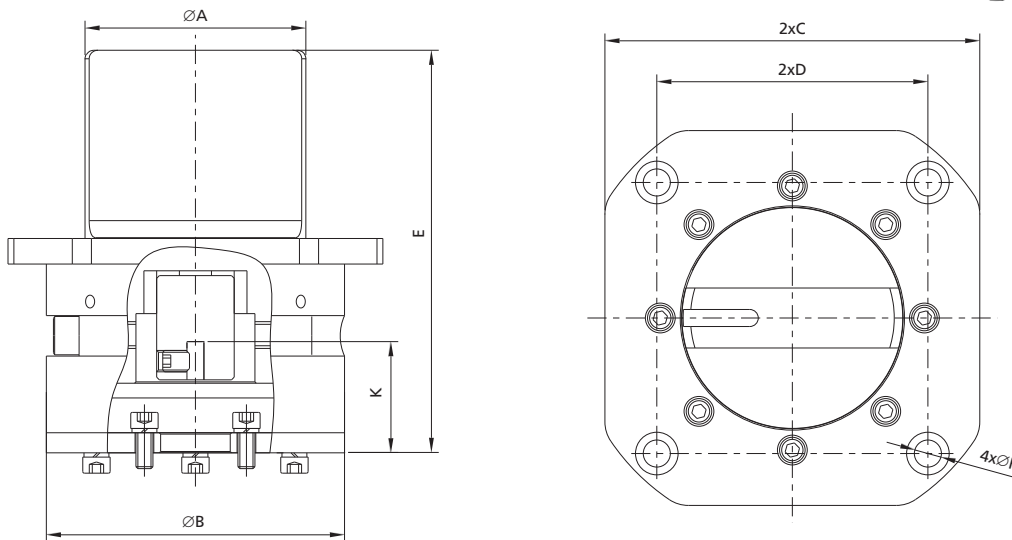
Part Number Crossover Charts

Ordering Information and Dimensions (continued)

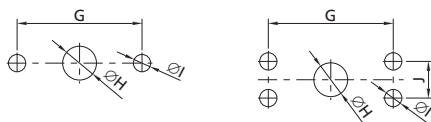
Ordering Number	Flow Pattern	Connection	Orifice No.	Orifice size in. (mm)	Cv	Working Pressure psig (bar)
20SBSS-MF6-4-2	3-way	MF6	4	0.188 (4.77)	0.5	20,000 (1379)
20SBSS-MF6-4-2D						
20SBSS-MF9-4-2		MF9		0.188 (4.77)	0.5	
20SBSS-MF9-4-2D						
20SBSS-HF4-4-2		HF4		0.094 (2.39)	0.13	
20SBSS-HF4-4-2D						
20SBSS-HF6-4-2		HF6		0.125 (3.17)	0.22	
20SBSS-HF6-4-2D						

Paddle Assembly (PA) Options

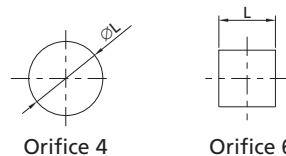
Paddle Assembly (PA) installed on the valve, is suitable for ROV or diver operation to complete the opening and closing or reversing of underwater valves. PA is made of stainless steel, which has good corrosion resistance in the submarine environment. The limit design is adopted in the structure to prevent the overtorque of ROV from affecting the normal use of the valve, meeting API 17H specification of ROV interface tooling.



Bottom Mounting Hole



Stem Port



Orifice 4

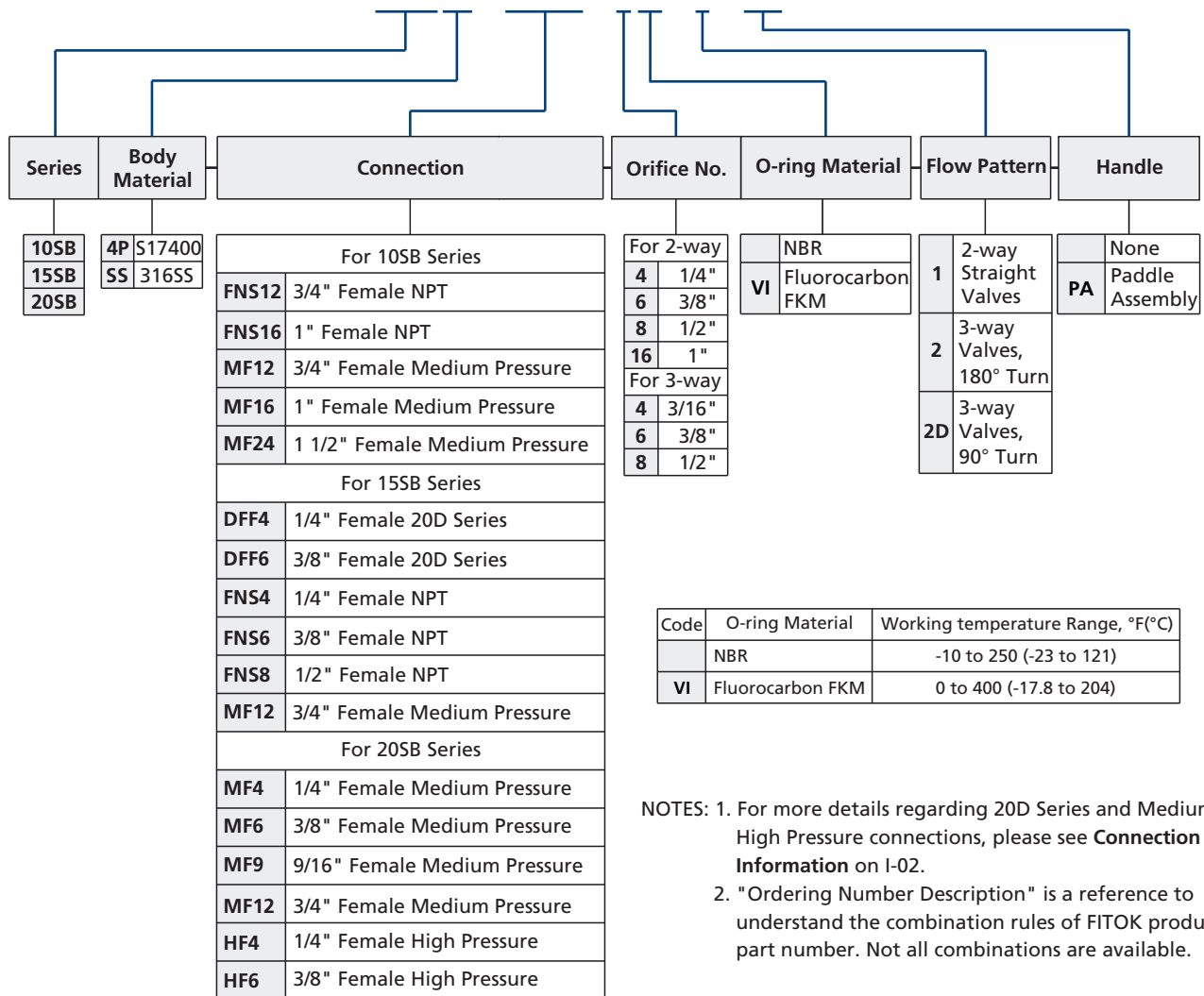
Orifice 6

Note: To order valves with paddle assembly, add "-PA" to the valve ordering number. Example: 20SBSS-MF4-4-1-PA.

Ordering Number	Flow Pattern	Orifice No.	Dimensions, in. (mm)											
			A	B	C	D	E	F	G	H	I	J	K	L
SS-PA-4-1	2-way	4	3.19 (81)	4.33 (110)	5.51 (140)	3.98 (101)	5.9 (150)	0.39 (10)	1.5 (38.1)	1.02 (26)	0.28 (7.1)	—	1.78 (45.2)	0.25 (6.35)
SS-PA-6-1		6	3.19 (81)	4.33 (110)	5.51 (140)	3.98 (101)	5.9 (150)	0.39 (10)	2.5 (63.5)	1.44 (36.5)	0.33 (8.5)	0.88 (22.3)	2.5 (63.5)	0.38 (9.35)
SS-PA-4-2	3-way	4	3.19 (81)	4.33 (110)	5.51 (140)	3.98 (101)	5.9 (150)	0.39 (10)	2 (50.8)	1.44 (36.5)	0.28 (7.1)	—	1.78 (45.2)	0.25 (6.35)

Ordering Number Description

15SBSS - MF12 - 8VI - 1 - PA



Fittings
Tubing
Quick Couplings
Line Filters
Valves
Sour Service Products
Subsea Valves
Tools and Installation Instructions
Technical Information
Part Number Crossover Charts

Subsea Hydraulic Ball Valves

Features

- Working pressure up to 20,000 psig (1379 bar)
- Maximum external pressure: 6,000 psig (414 bar)
- Hydraulic supply pressure: 3,000 psig (207 bar)
- Working temperature: 0 to 200°F (-17.8 to 93°C)
- High tensile 316 stainless steel or S17400 stainless steel for valve body and S17400 for hydraulic actuator
- Fluorocarbon FKM O-ring and PEEK seal provide excellent resistance against chemicals, heat and abrasion
- Three types of hydraulic actuators (YC, YO, YXTD) available
- Maximum water depth: 13,800 ft. (4200 m)



Subsea Hydraulic Ball Valves (2-way)



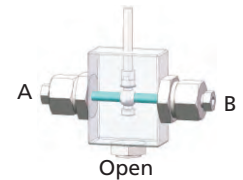
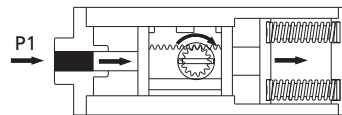
Subsea Hydraulic Ball Valves (3-way)

Working Principle

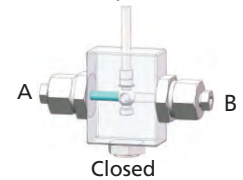
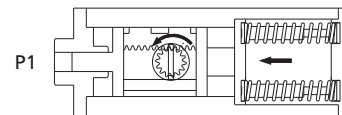
2-way (90° on-off)

YC: Hydraulic to open, single acting with spring return (Normally Closed)

Hydraulic pressure applied to port P1 forces the piston to move towards right and compress the spring, causing a clockwise rotation by 90 degrees. The valve fully opens.

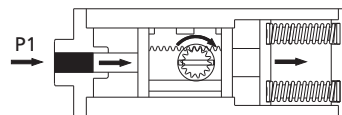


Following loss of hydraulic pressure on port P1, the compressed spring forces the piston to move towards left, causing a counterclockwise rotation by 90 degrees. The valve closes.

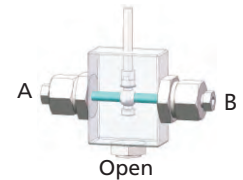
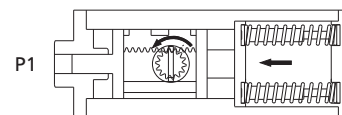


YO: Hydraulic to closed, single acting with spring return (Normally Open)

Hydraulic pressure applied to port P1 forces the piston to move towards right and compress the spring, causing a clockwise rotation by 90 degrees. The valve closes.



Following loss of hydraulic pressure on port P1, the compressed spring forces the piston to move towards left, causing a counterclockwise rotation by 90 degrees. The valve fully opens.

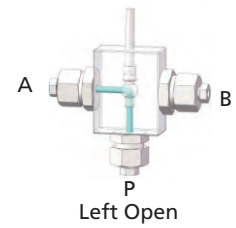
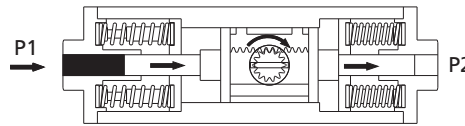


Fittings
Tubing
Quick Couplings
Line Filters
Valves
Sour Service Products
Subsea Valves
Tools and Installation Instructions
Technical Information
Part Number Crossover Charts

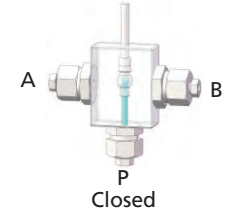
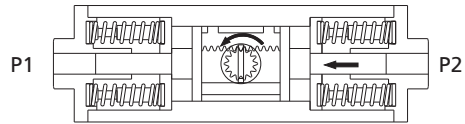
3-way (180° switching)

YXTD: 180° Normally Closed, double acting with spring return

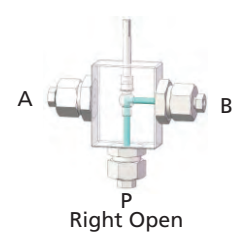
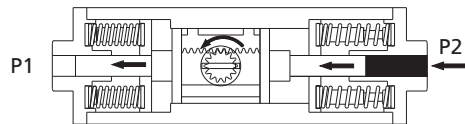
Hydraulic pressure applied to port P1 forces the piston to move towards right and compress the spring, causing a clockwise rotation by 90 degrees. The flow is allowed from bottom inlet port P to outlet A.



Following loss of hydraulic pressure on port P1, the compressed spring forces the piston to move towards left, causing a counterclockwise rotation by 90 degrees. The valve closes.



Hydraulic pressure applied to port P2 forces the piston to move towards left and compress the spring, causing a counterclockwise rotation by 90 degrees. The flow is allowed from bottom inlet port P to outlet B.



Ordering Number Description

15SBSS - MF6 - 6VI - 1 - YC - FNS4

Series	Body Material	Connection	Orifice No.	O-ring Material	Flow Pattern	Hydraulic Actuator	Hydraulic Connection Type	Hydraulic Connection Size
10SB	4P S17400	For 10SB Series	For 2-way	VI NBR Fluorocarbon FKM	1 2-way Straight Valves	FNS US	FNS US	4 1/4" 7 7/16"-20 8 1/2"
15SB	SS 316SS		4 1/4"					
20SB			6 3/8"					
		For 15SB Series	For 3-way		2 3-way Valves, 180° Turn	YC YO YXTD	YC YO YXTD	90° Normally Closed Hydraulic Actuator 90° Normally Open Hydraulic Actuator 180° Spring Return Double Acting Hydraulic Actuator
FNS12	3/4" Female NPT		4 3/16"					
FNS16	1" Female NPT		6 3/8"					
MF12	3/4" Female Medium Pressure	For 20SB Series			2D 3-way Valves, 90° Turn			
MF16	1" Female Medium Pressure							
DFF4	1/4" Female 20D Series							
DFF6	3/8" Female 20D Series							
FNS4	1/4" Female NPT							
FNS6	3/8" Female NPT							
FNS8	1/2" Female NPT							
MF4	1/4" Female Medium Pressure							
MF6	3/8" Female Medium Pressure							
MF9	9/16" Female Medium Pressure							
MF12	3/4" Female Medium Pressure							
HF4	1/4" Female High Pressure							
HF6	3/8" Female High Pressure							

NOTES: 1. For more details regarding 20D Series and Medium/High Pressure connections, please see **Connection Information** on I-02.
2. "Ordering Number Description" is a reference to understand the combination rules of FITOK product part number. Not all combinations are available.

Fittings
Tubing
Quick Couplings
Line Filters
Valves
Subsea Valves
Tools and Installation Instructions
Technical Information
Part Number Crossover Charts

Subsea Check Valves

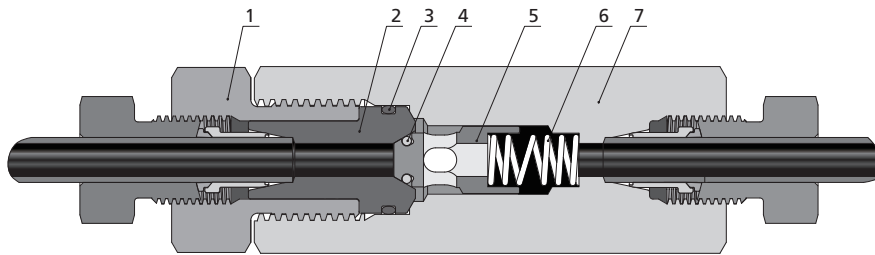
Features

- Working pressure up to 20,000 psig (1379 bar)
- Maximum external pressure: 6,000 psig (414 bar)
- Cracking pressure: 14 to 26 psig (0.966 to 1.794 bar)
- NBR O-ring for operation from -10 to 250°F (-23 to 121°C); other O-ring materials available
- High tensile 316 stainless steel for valve body
- NACE MR0175 optional
- Provides unidirectional flow and tight shut-off for liquids and gases with high reliability. When differential drops below cracking pressure, valve shuts off (Not for use as relief valve)
- Soft seat seal ring style or metal-to-metal seat poppet style available
- Maximum water depth: 13,800 ft. (4200 m)



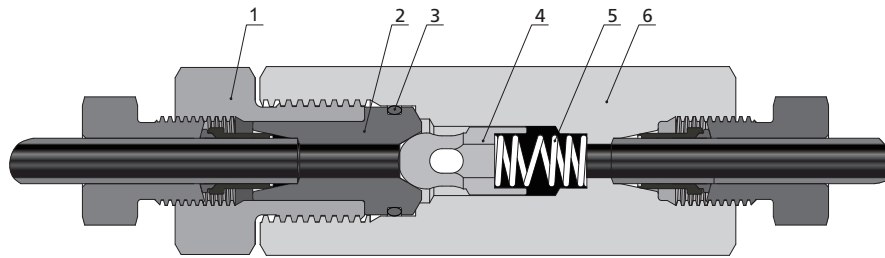
Standard Materials of Construction

SC Series



Item	Component	Material Grade
1	Cover Gland	316SS
2	Cover	316SS
3	Seal Ring	NBR
4	Seal Ring	NBR
5	Ball Poppet	316SS
6	Spring	304SS
7	Valve Body	316SS

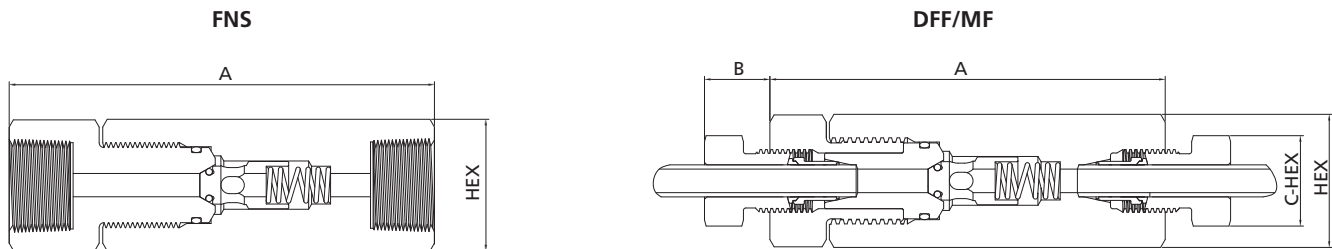
SCO Series



Item	Component	Material Grade
1	Cover Gland	316SS
2	Cover	316SS
3	Seal Ring	NBR
4	Ball Poppet	316SS
5	Spring	304SS
6	Valve Body	316SS

Wetted components listed in italics.

Ordering Information and Dimensions



Ordering Number	Connection	Orifice Size in. (mm)	Cv	Dimensions, in. (mm)				Working Pressure psig (bar)
				A	B	C-HEX	HEX	
10SCSS-FNS12	FNS12	0.52 (13.21)	4.70	6.11 (155.19)	—	—	1.75 (44.45)	10,000 (690)
10SCSS-FNS16	FNS16	0.69 (17.53)	7.40	7.32 (185.93)	—	—	1.88 (47.75)	
10SCOSS-FNS12	FNS12	0.52 (13.21)	4.70	6.11 (155.19)	—	—	1.75 (44.45)	
10SCOSS-FNS16	FNS16	0.69 (17.53)	7.40	7.32 (185.93)	—	—	1.88 (47.75)	
15SCSS-DFF4	DFF4	0.188 (4.78)	0.63	3.43 (87.12)	0.52 (13.21)	0.63 (16.00)	0.81 (20.57)	15,000 (1034)
15SCSS-DFF6	DFF6	0.250 (6.35)	1.70	3.82 (97.03)	0.53 (13.46)	0.75 (19.05)	1.00 (25.40)	
15SCSS-DFF8	DFF8	0.375 (9.53)	3.40	4.55 (115.57)	0.60 (15.24)	0.93 (23.62)	1.38 (35.05)	
15SCOSS-DFF4	DFF4	0.188 (4.78)	0.63	3.43 (87.12)	0.53 (13.46)	0.63 (16.00)	0.81 (20.57)	
15SCOSS-DFF6	DFF6	0.250 (6.35)	1.70	3.82 (97.03)	0.53 (13.46)	0.75 (19.05)	1.00 (25.40)	
15SCOSS-DFF8	DFF8	0.375 (9.53)	3.40	4.55 (115.57)	0.60 (15.24)	0.93 (23.62)	1.38 (35.05)	
15SCSS-FNS4	FNS4	0.12 (3.05)	0.28	3.43 (87.12)	—	—	0.94 (23.81)	

Fittings

Tubing

Quick Couplings

Line Filters

Valves

Sour Service Products

Subsea Valves

Tools and Installation Instructions

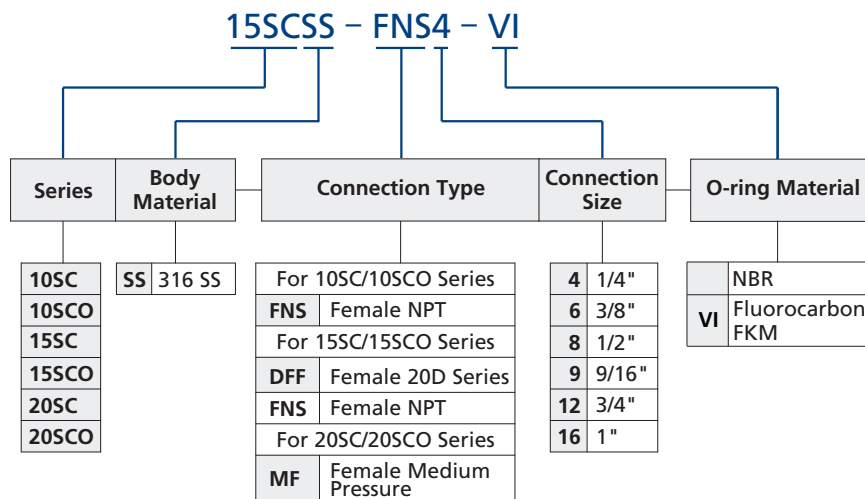
Technical Information

Part Number Crossover Charts

Ordering Information and Dimensions (continued)

	Ordering Number	Connection	Orifice Size in. (mm)	Cv	Dimensions, in. (mm)				Working Pressure psig (bar)
					A	B	C-HEX	HEX	
Fittings	15SCSS-FNS6	FNS6	0.22 (5.59)	0.84	3.82 (97.03)	—	—	1.13 (28.58)	15,000 (1034)
Tubing	15SCSS-FNS8	FNS8	0.36 (9.12)	2.30	4.55 (115.57)	—	—	1.38 (35.05)	
	15SCOSS-FNS4	FNS4	0.12 (3.05)	0.28	3.43 (87.12)	—	—	0.94 (23.81)	
Quick Couplings	15SCOSS-FNS6	FNS6	0.22 (5.59)	0.84	3.82 (97.03)	—	—	1.13 (28.58)	
	15SCOSS-FNS8	FNS8	0.36 (9.12)	2.30	4.55 (115.57)	—	—	1.38 (35.05)	
Line Filters	20SCSS-MF4	MF4	0.125 (3.18)	0.28	2.94 (74.68)	0.38 (9.65)	0.50 (12.70)	0.81 (20.57)	
	20SCSS-MF6	MF6	0.218 (5.54)	0.84	3.34 (84.84)	0.44 (11.18)	0.62 (15.75)	1.00 (25.40)	
	20SCSS-MF9	MF9	0.359 (9.12)	2.30	4.35 (110.49)	0.55 (13.97)	0.94 (23.81)	1.38 (35.05)	
	20SCSS-MF12	MF12	0.516(13.11)	4.70	5.50 (139.70)	0.62 (15.75)	1.19 (30.23)	1.75 (44.45)	
	20SCSS-MF16	MF16	0.688(17.48)	7.40	7.07 (179.59)	0.74 (18.80)	1.38 (35.05)	2.12 (53.85)	
Valves	20SCOSS-MF4	MF4	0.125 (3.18)	0.28	2.94 (74.68)	0.38 (9.65)	0.50 (12.70)	0.81 (20.57)	
	20SCOSS-MF6	MF6	0.218 (5.54)	0.84	3.12 (79.25)	0.47 (11.94)	0.62 (15.75)	1.00 (25.40)	
	20SCOSS-MF9	MF9	0.359 (9.12)	2.30	4.18 (106.17)	0.53 (13.46)	0.94 (23.81)	1.38 (35.05)	
	20SCOSS-MF12	MF12	0.516 (13.11)	4.70	5.50 (139.70)	0.62 (15.75)	1.19 (30.23)	1.75 (44.45)	
	20SCOSS-MF16	MF16	0.688 (17.48)	7.40	6.63 (168.40)	0.72 (18.29)	1.38 (35.05)	2.12 (53.85)	

Ordering Number Description



- NOTES: 1. For more details regarding 20D Series and Medium Pressure connections, please see **Connection Information** on I-02.
2. "Ordering Number Description" is a reference to understand the combination rules of FITOK product part number. Not all combinations are available.
3. Please contact FITOK Group or our authorized distributors for more information on wetted materials (Eg: 2507 SD), seal materials and operational designs to fulfill your application requirements.

Code	O-ring Material	Working temperature Range, °F(°C)
	NBR	-10 to 250 (-23 to 121)
VI	Fluorocarbon FKM	0 to 400 (-17.8 to 204)

Subsea Needle Valves

Features

- ⦿ Working pressure up to 20,000 psig (1379 bar)
- ⦿ Maximum external pressure: 6,000 psig (414 bar)
- ⦿ NBR O-ring for operation from -10 to 250°F (-23 to 121°C); other O-ring materials available
- ⦿ High tensile 316 stainless steel for valve body
- ⦿ Standard stem seal material: PTFE
- ⦿ NACE MR0175 optional
- ⦿ Using a two-part spindle assembly with a non-rising upper stem, it is of great advantage when being used with ROVs
- ⦿ Non-rotating lower stem to ensure positive non-galling operation during shut-off
- ⦿ Packing located under stem threads
- ⦿ Metal-to-metal seating to ensure ideal shut-off, longer stem/seat service lifetime for abrasive flow, excellent corrosion resistance and greater durability for repeated on/off cycles
- ⦿ Reliable packing gland locking device
- ⦿ Wide selection of tube and pipe end fittings available
- ⦿ 2-way straight and angle flow patterns available
- ⦿ Orifice size: 0.203"
- ⦿ Rated Cv: 0.75
- ⦿ Maximum water depth: 13,800 ft. (4200 m)



Fittings

Tubing

Quick Couplings

Line Filters

Valves

Sour Service Products

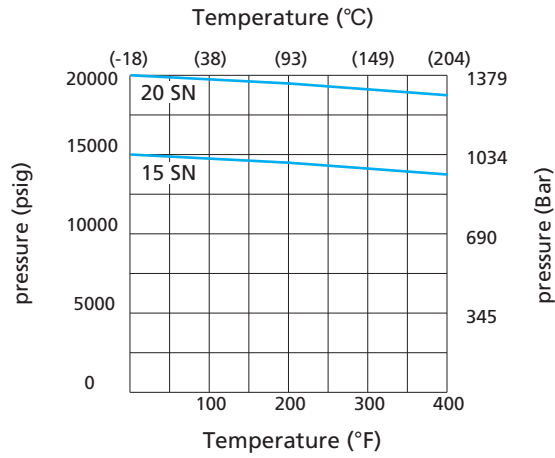
Subsea Valves

Tools and Installation Instructions

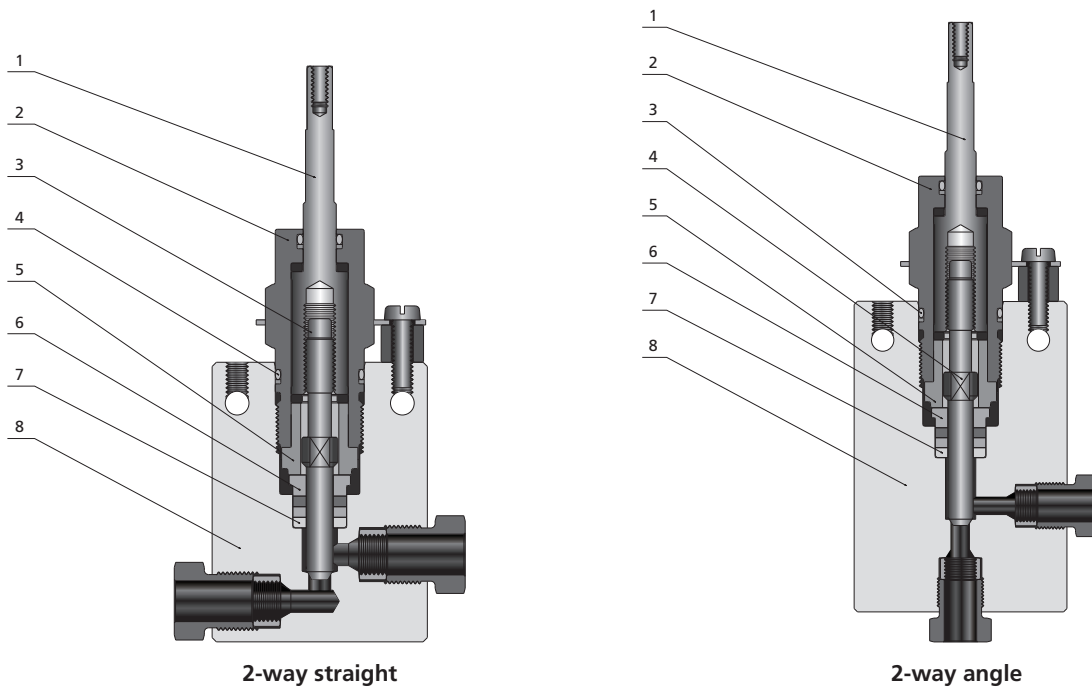
Technical Information

Part Number Crossover Charts

Pressure vs. Temperature Curve



Standard Materials of Construction

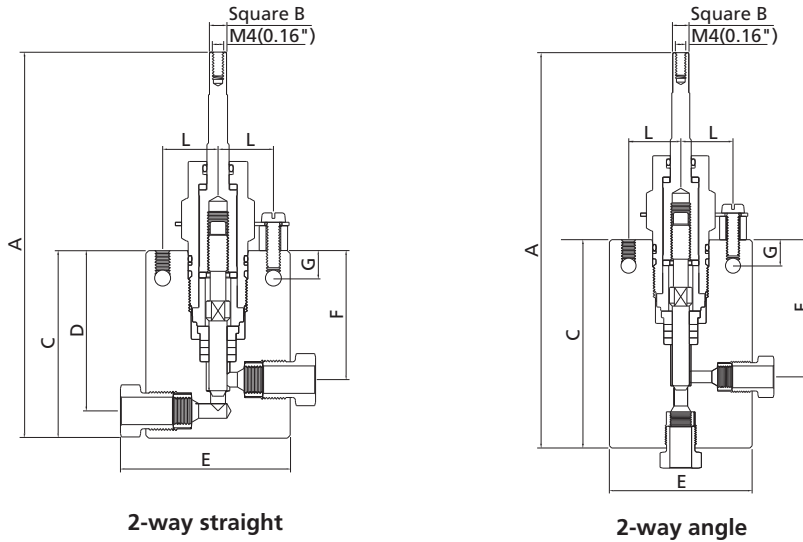


Item	Component	Material Grade
1	Upper Stem	316SS
2	Packing Gland	316SS
3	O-Ring	NBR
4	<i>Lower Stem</i>	<i>S17400</i>
5	Packing Ring	C63000
6	<i>Packing</i>	<i>PTFE</i>
7	<i>Packing washer</i>	<i>S17400</i>
8	<i>Body</i>	<i>316 SS</i>
	Lubricant	Molybdenum disulfide

Wetted components listed in italics.

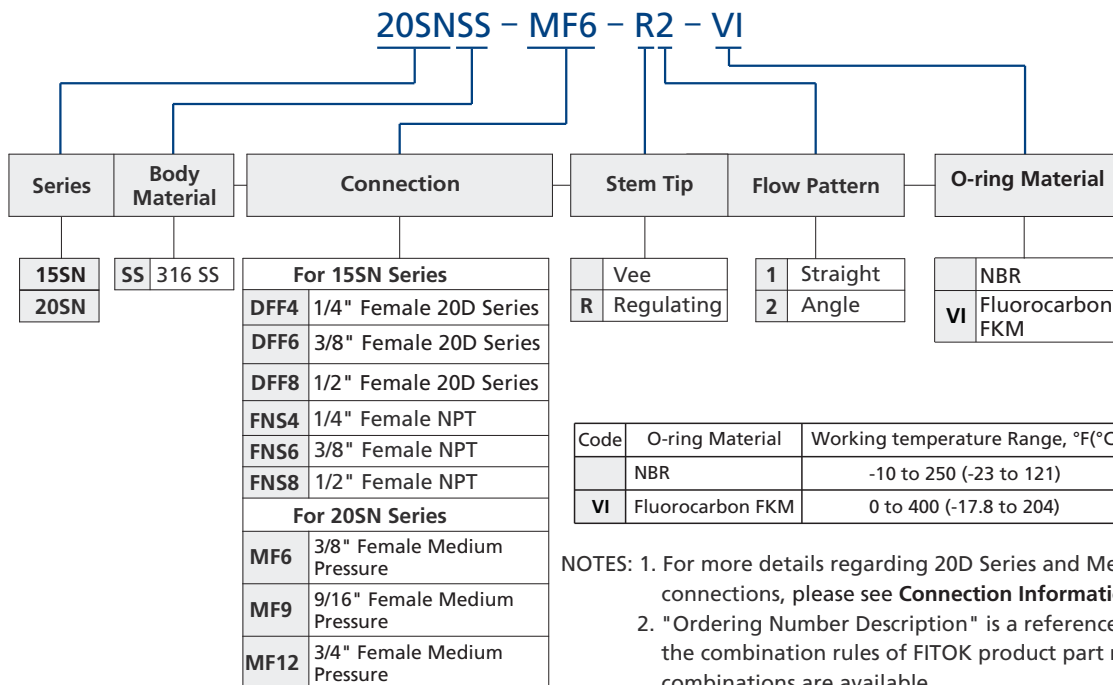
Fittings
Tubing
Quick Couplings
Line Filters
Valves
Sour Service Products
Subsea Valves
Tools and Installation Instructions
Technical Information
Part Number Crossover Charts

Ordering Information and Dimensions



Ordering Number	Connection	Dimensions, in. (mm)								
		A	B	C	D	E	F	G	L	Block Thickness
20SNSS-MF6-1	MF6	5.35 (135.9)	0.24 (6.0)	2.60 (66.00)	2.22 (56.4)	2.00 (50.8)	1.79 (45.40)	0.38 (9.65)	0.77 (19.5)	1.00 (25.4)
20SNSS-MF9-1	MF9	5.75 (146.1)	0.24 (6.0)	3.00 (76.2)	2.40 (61.0)	2.50 (63.5)	2.00 (50.8)	0.38 (9.65)	0.77 (19.5)	1.50 (38.1)
20SNSS-MF12-1	MF12	5.90 (149.9)	0.24 (6.0)	3.15 (80.0)	2.43 (61.8)	3.00 (76.2)	2.00 (50.8)	0.38 (9.65)	0.77 (19.5)	1.50 (38.1)
20SNSS-MF6-2	MF6	5.78 (146.9)	0.24 (6.0)	3.03 (77.00)	—	2.00 (50.8)	1.78 (45.40)	0.38 (9.65)	0.77 (19.5)	1.00 (25.4)
20SNSS-MF9-2	MF9	6.25 (158.8)	0.24 (6.0)	3.50 (88.9)	—	2.50 (63.5)	2.00 (50.8)	0.38 (9.65)	0.77 (19.5)	1.50 (38.1)
20SNSS-MF12-2	MF12	6.50 (165.2)	0.24 (6.0)	3.75 (95.3)	—	3.00 (76.2)	2.00 (50.8)	0.38 (9.65)	0.77 (19.5)	1.50 (38.1)

Ordering Number Description



Fittings
Tubing
Quick Couplings
Line Filters
Valves
Sour Service Products
Subsea Valves
Tools and Installation Instructions
Technical Information
Part Number Crossover Charts

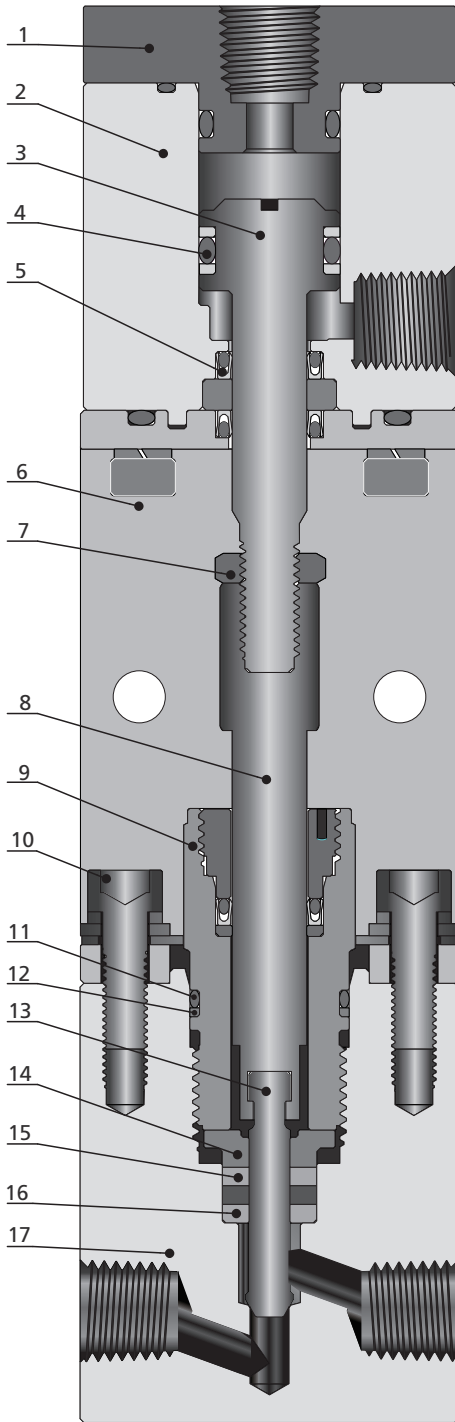
Subsea Hydraulic Needle Valves

Features

- ⦿ Working pressure up to 20,000 psig (1379 bar)
- ⦿ Maximum external pressure: 6,000 psig (414 bar)
- ⦿ Hydraulic supply pressure: 3,000 psig (207 bar)
- ⦿ Working temperature: 0 to 175°F (-18 to 80°C)
- ⦿ High tensile 316 stainless steel for valve body
- ⦿ Standard stem seal material: PTFE
- ⦿ NACE MR0175 optional
- ⦿ Metal-to-metal seating to ensure ideal shut-off, longer stem/seat service lifetime for abrasive flow, excellent corrosion resistance and greater durability for repeated on/off cycles
- ⦿ Reliable packing gland locking device
- ⦿ Wide selection of tube and pipe end fittings available
- ⦿ 2-way straight and angle flow patterns available
- ⦿ Orifice: 0.203"
- ⦿ Rated Cv: 0.75
- ⦿ Maximum water depth: 13,800 ft. (4200 m)



Standard Materials of Construction

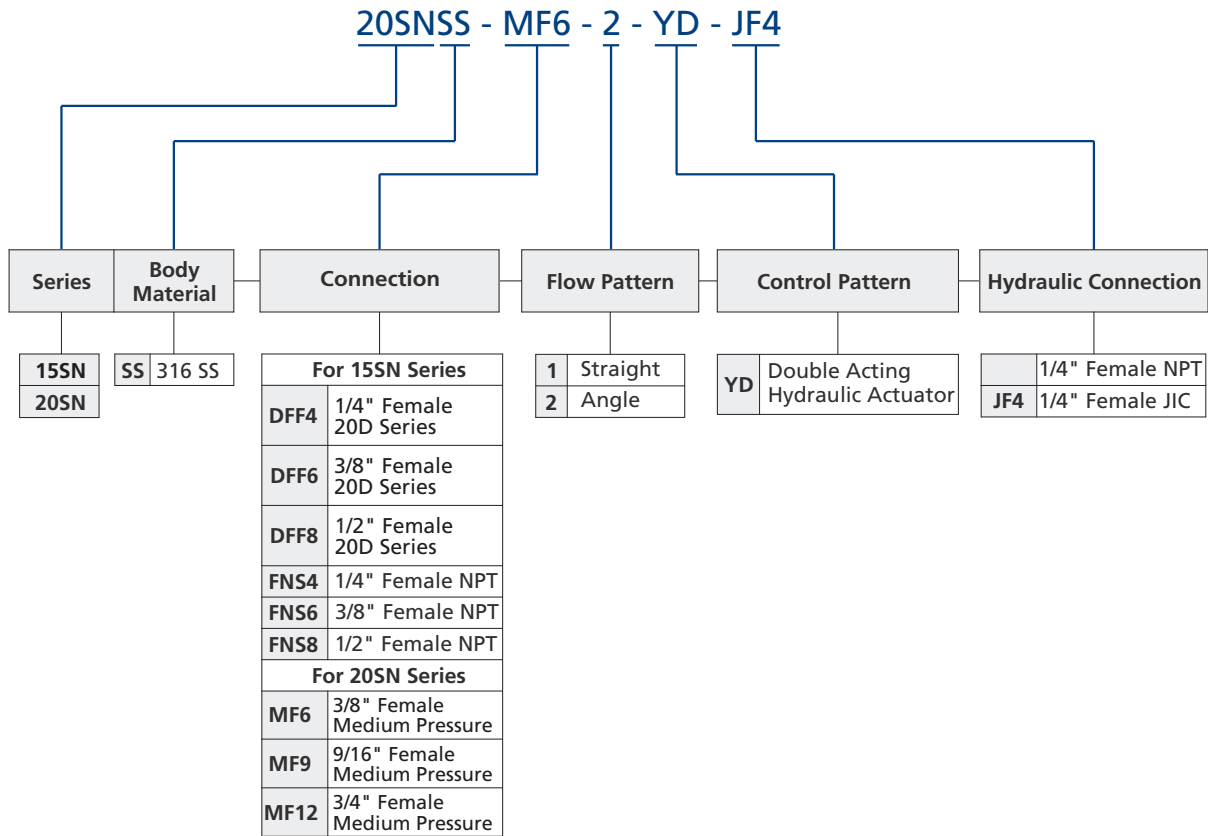


Item	Component	Material Grade
1	Gland	316 SS
2	Actuator Body	316 SS
3	Piston Rod	316 SS
4	O-Ring	Fluorocarbon FKM
5	Piston Seal	UHMWPE
6	Support Block	316 SS
7	Nut	Stainless Steel
8	Upper Stem	316 SS
9	Packing Gland	316 SS
10	Locking Screw	SS
11	O-Ring	NBR
12	O-Ring Retainer	PTFE
13	<i>Lower Stem</i>	<i>S17400</i>
14	Packing Ring	C63000
15	<i>Packing</i>	<i>PTFE</i>
16	<i>Packing Washer</i>	<i>S17400</i>
17	<i>Body</i>	<i>316 SS</i>

Wetted components listed in italics.

Fittings
Tubing
Quick Couplings
Line Filters
Valves
Sour Service Products
Subsea Valves
Tools and Installation Instructions
Technical Information
Part Number Crossover Charts

Ordering Number Description



NOTES: 1. For more details regarding 20D Series and Medium Pressure connections, please see **Connection Information** on I-02.
 2. "Ordering Number Description" is a reference to understand the combination rules of FITOK product part number.
 Not all combinations are available.

Subsea Hydraulic Directional Control Valves

Features

- ⦿ Working pressure up to 15,000 psig (1034 bar)
- ⦿ Pilot working pressure: 3,000 psig (207 bar)
- ⦿ Maximum external pressure: 6,000 psig (414 bar)
- ⦿ NBR O-ring for operation from -10 to 250°F (-23 to 121°C); other O-ring materials available
- ⦿ High tensile 316 stainless steel for valve body
- ⦿ NBR O-rings seal provides excellent oil resistance
- ⦿ Easy to connect, switch off and reverse between different flow channels
- ⦿ Hydraulic remote control for easy operation
- ⦿ Bolt connection for easy disassembly and maintenance
- ⦿ Low impact performance to maximize cycle life
- ⦿ Suitable for application with oil or water
- ⦿ Orifice size: 0.25", 0.375"
- ⦿ Maximum water depth: 13,800 ft. (4200 m)



Fittings

Tubing

Quick Couplings

Line Filters

Valves

Sour Service Products

Subsea Valves

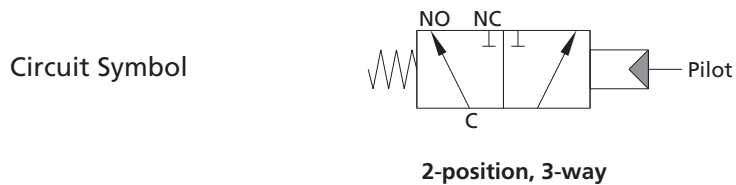
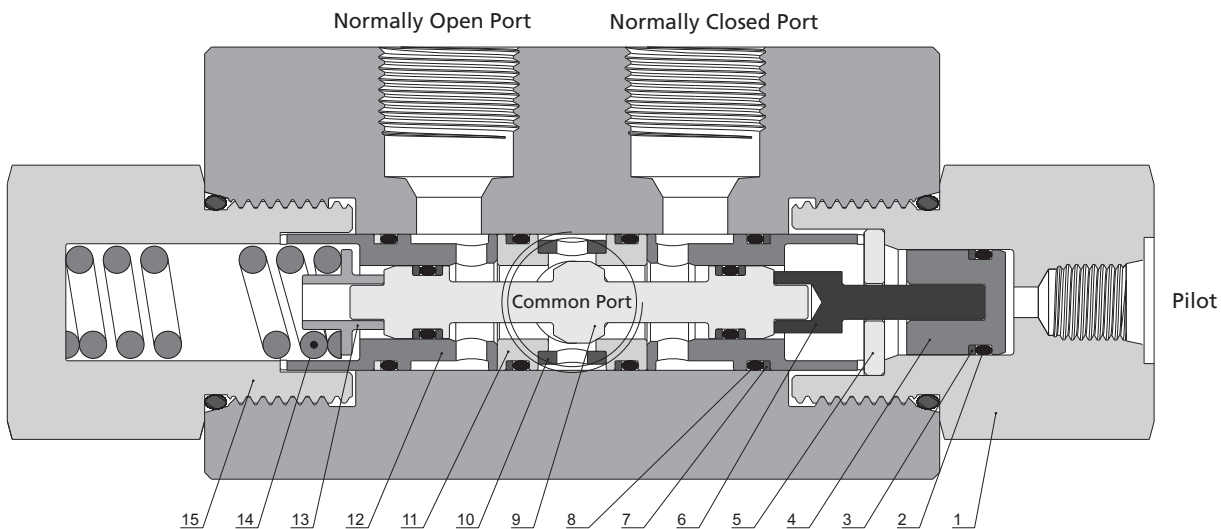
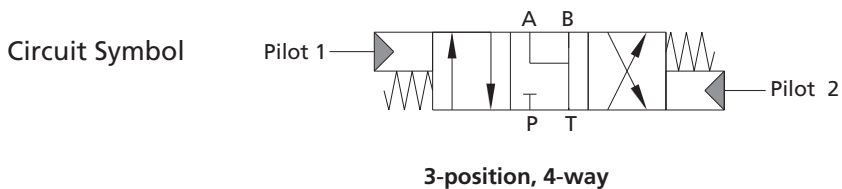
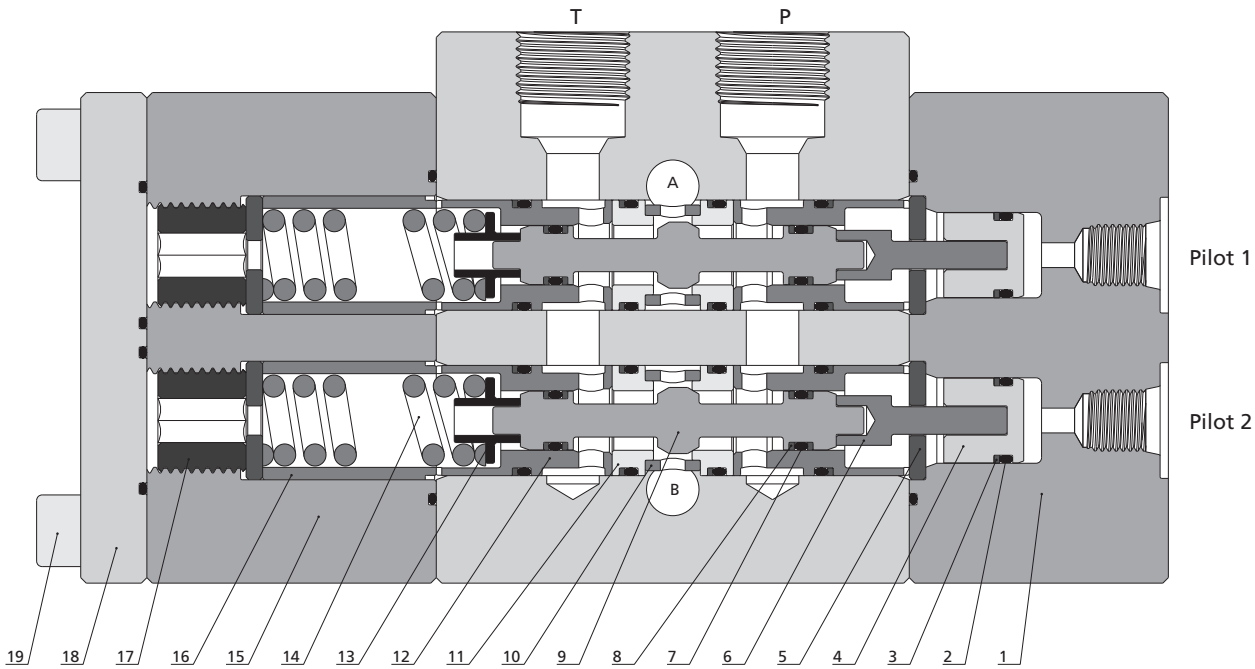
Tools and Installation Instructions

Technical Information

Part Number Crossover Charts

Standard Materials of Construction

Fittings
Tubing
Quick Couplings
Line Filters
Valves
Sour Service Products
Subsea Valves
Tools and Installation Instructions
Technical Information
Part Number Crossover Charts



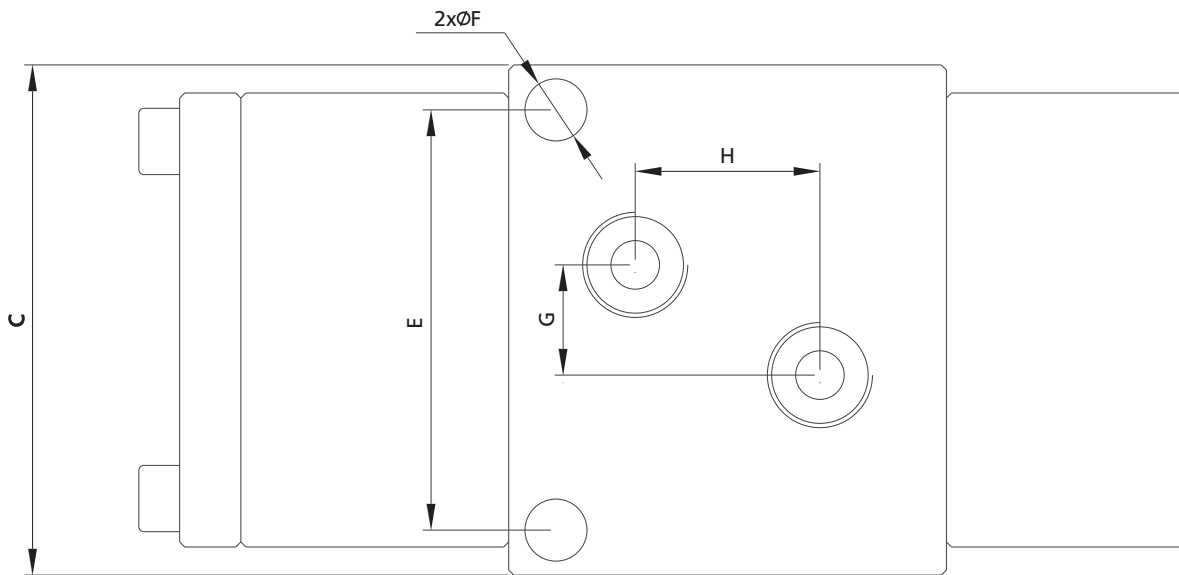
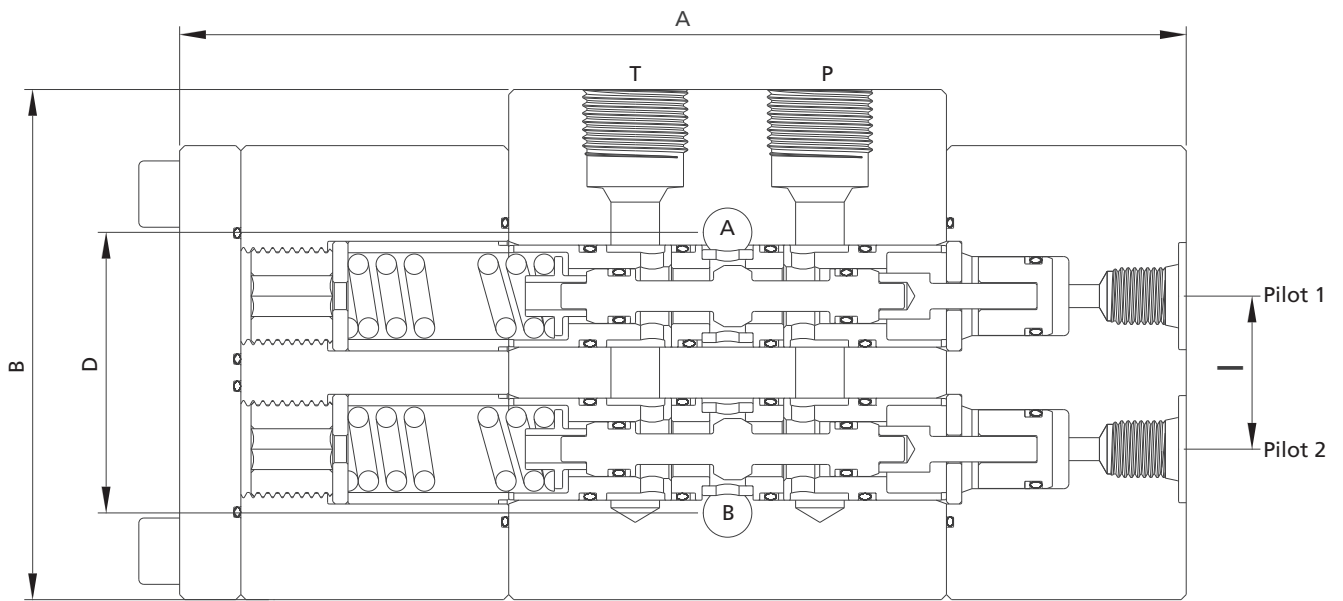
Item	Component	Material Grade
1	Gland	F316
2	O-Ring	NBR
3	Retaining Ring	PTFE
4	Piston	316 SS
5	Gasket	316 SS
6	Connection Block	316 SS
7	<i>O-Ring</i>	<i>NBR</i>
8	<i>Retaining Ring</i>	<i>PEEK</i>
9	<i>Stem</i>	<i>S17400</i>
10	<i>Pad</i>	<i>S17400</i>
11	<i>Seat</i>	<i>316 SS</i>
12	<i>Bush</i>	<i>S17400</i>
13	Connection Block	316 SS
14	Spring	S17700
15	Gland	F316
16	Bush	S17400
17	Screw	316 SS
18	Gland	F316
19	Locking Screw	316 SS

Wetted components listed in italics.

Fittings
Tubing
Quick Couplings
Line Filters
Valves
Sour Service Products
Subsea Valves
Tools and Installation Instructions
Technical Information
Part Number Crossover Charts

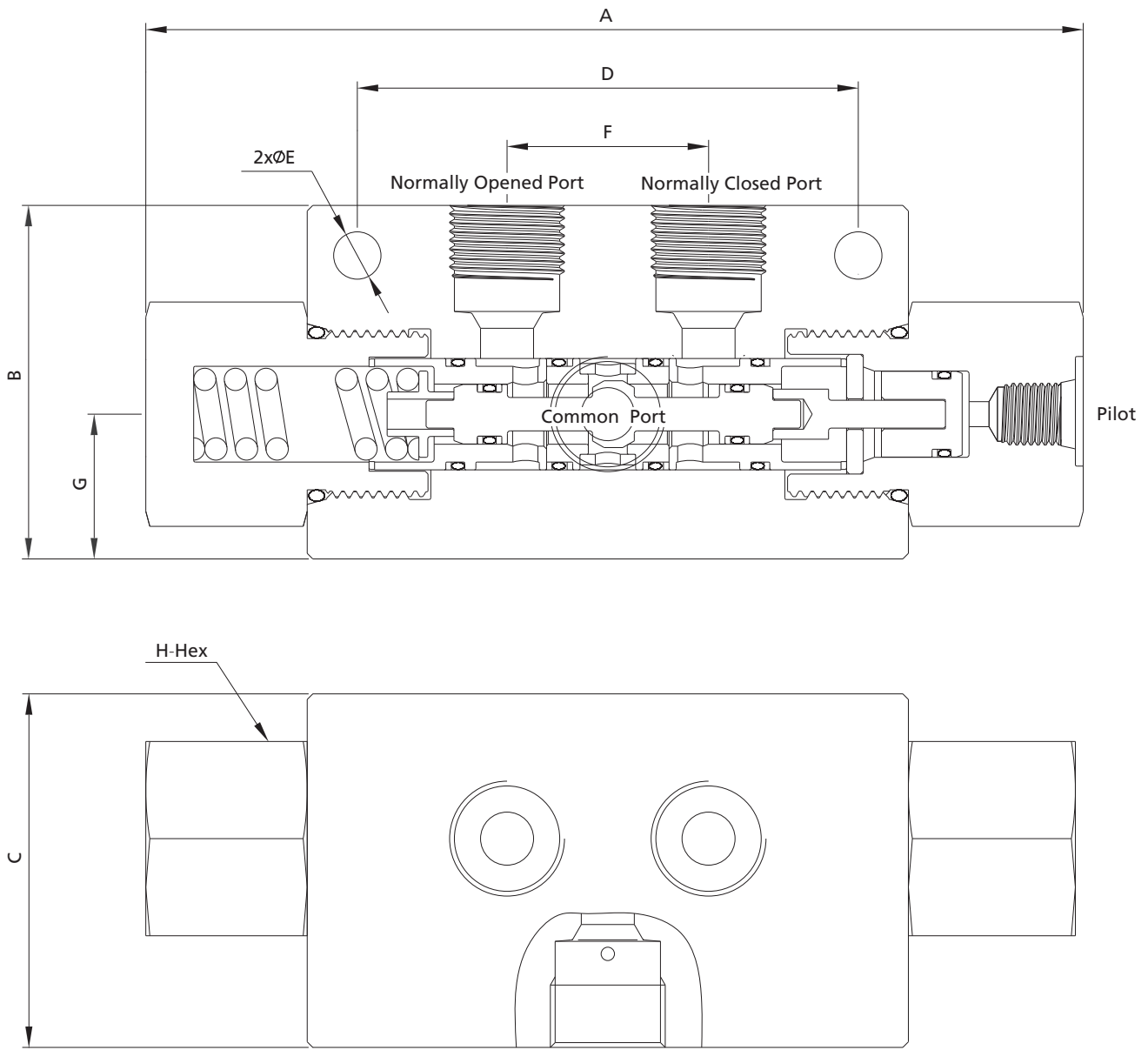
Ordering Information and Dimensions

Fittings
Tubing
Quick Couplings
Line Filters
Valves
Sour Service Products
Subsea Valves
Tools and Installation Instructions
Technical Information
Part Number Crossover Charts



3-position, 4-way

Ordering Number	Dimensions, in. (mm)										Working Pressure psig (bar)
	A	B	C	D	E	F	G	H	I	Orifice	
15SDCSS-3P4W-MF9-US7	6.70 (170.3)	3.50 (88.9)	3.50 (88.9)	1.74 (44.2)	2.82 (71.1)	0.41 (10.5)	0.76 (19.4)	1.13 (28.6)	1.00 (25.4)	0.25 (6.35)	15,000 (1034)
15SDCSS-3P4W-MF9-6-US7	7.20 (183)	3.54 (90)	3.74 (95)	1.26 (32)	3.19 (81)	0.33 (8.5)	1.02 (26)	1.10 (28)	1.10 (28)	0.375 (9.53)	



2-position, 3-way

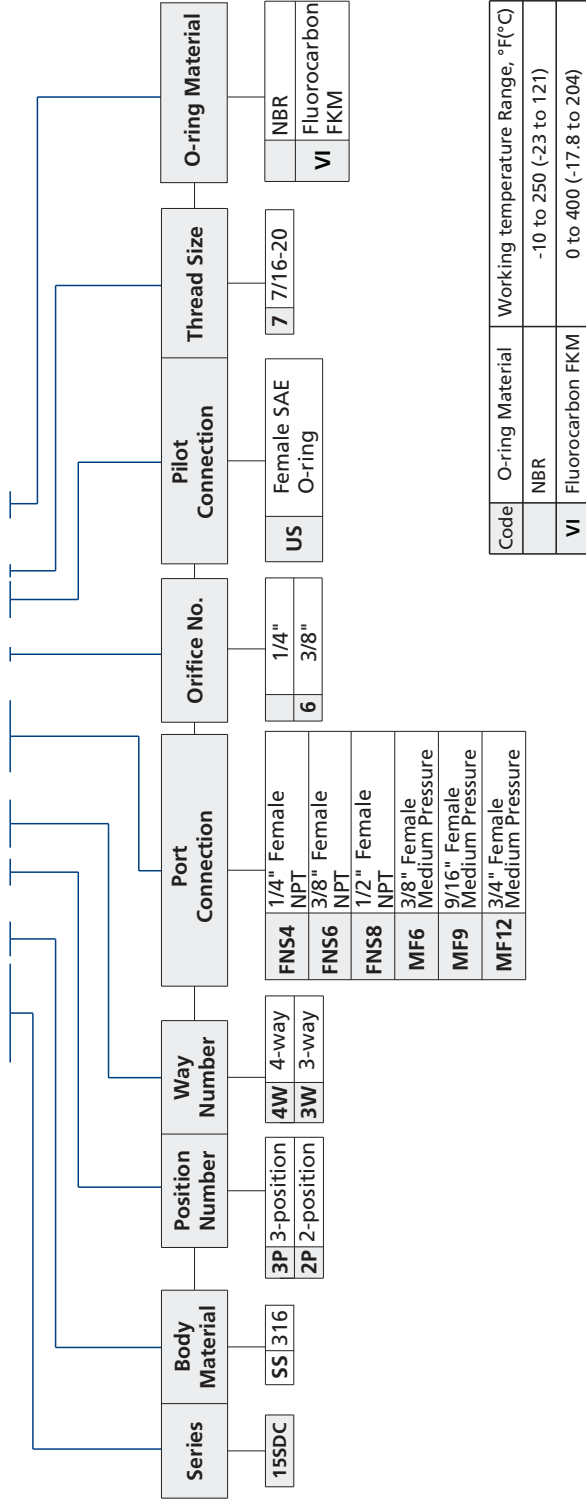
Ordering Number	Dimensions, in. (mm)									Working Pressure psig (bar)
	A	B	C	D	E	F	G	H	Orifice	
15SDCSS-2P3W-MF9-US7	6.40 (162.5)	2.56 (65)	2.56 (65)	3.70 (94)	0.33 (8.5)	142 (36)	1.02 (26)	163 (41.28)	0.25 (6.35)	15,000 (1034)
15SDCSS-2P3W-MF9-6-US7	6.40 (162.5)	2.56 (65)	2.56 (65)	3.70 (94)	0.33 (8.5)	142 (36)	102 (26)	163 (41.28)	0.375 (9.53)	

- Fittings
- Tubing
- Quick Couplings
- Line Filters
- Valves
- Sour Service Products
- Subsea Valves
- Tools and Installation Instructions
- Technical Information
- Part Number Crossover Charts

Part Number Crossover Charts	Technical Information	Tools and Installation Instructions	Subsea Valves	Sour Service Products	Valves	Line Filters	Quick Couplings	Tubing	Fittings
------------------------------	-----------------------	-------------------------------------	---------------	-----------------------	--------	--------------	-----------------	--------	----------

Ordering Number Description

15SDCSS - 3P4W - MF9 - 6 - US7 - VI



- NOTES: 1. For more details regarding Medium Pressure connection, please see **Connection Information** on I-02.
 2. "Ordering Number Description" is a reference to understand the combination rules of FITOK product part number.
 Not all combinations are available.