

Flush Rings

FU, FS and FE Series



FITOK

1 Flush Rings

Functions

- Flushing rings are required for flange-mounted and sandwich type remote if the danger exists that the process conditions and the geometry of the connection could make the medium into deposits or blockages
- The flushing ring is clamped between the process flange and the remote seal.
- Deposits can be flushed away from the diaphragm through the holes in the side, or the pressure volume can be vented.
- Different nominal sizes and forms permit adaptation to the respective process flange.

Features

- Flange standards: ANSI B16.5, DIN 2526.
- Marked with standard, model number, series number.

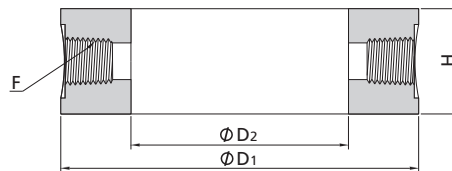
Material Specifications

Material	Standard
316 SS	ASTM A479/A182
316L SS	
304 SS	
304L SS	
321 SS	
Alloy C-276	ASTM B574/B564
Alloy 400	ASTM B164/B564
Duplex 2507	ASTM A479/A182

Other materials are available upon request.

Technical Data

FU Series: Wafer

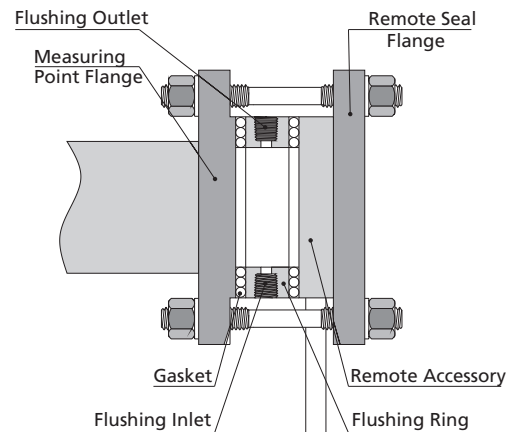


Pressure Ratings and Dimensions

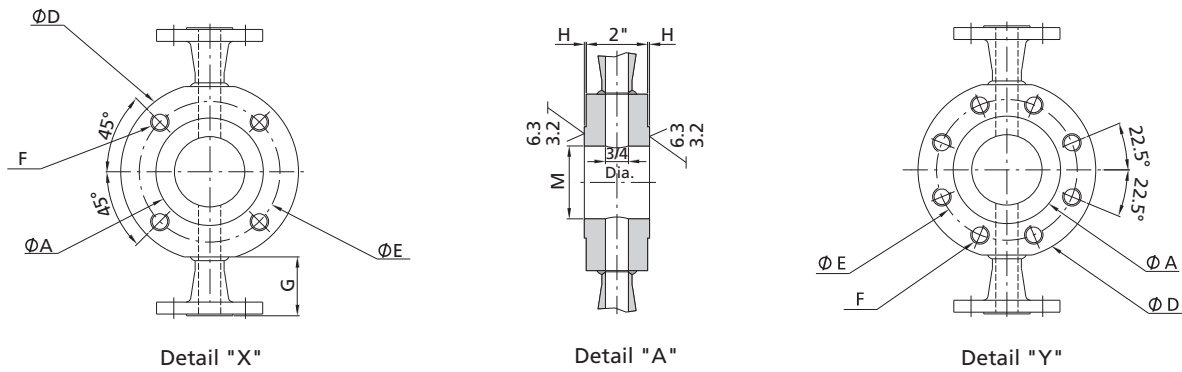
ANSI B 16.5		D1	D2	F - 1/4 NPT	F - 1/2 NPT
		H			
Nominal Size	Pressure Ratings	Dimension, in. (mm)			
2	Class 150 to 2500	3.62 (92)	2.44 (62)	0.97 (25)	1.18 (30)
3		5.00 (127)	3.62 (92)		
4		6.18 (157)	3.62 (92)		

DIN 2526		D1	D2	F - 1/4 NPT	F - 1/2 NPT
		H			
Nominal Size	Pressure Ratings	Dimension, in. (mm)			
50	PN16 to PN400	4.01 (102)	2.44 (62)	0.97 (25)	1.18 (30)
80		5.43 (138)	3.62 (92)		
100		6.38 (162)	3.62 (92)		

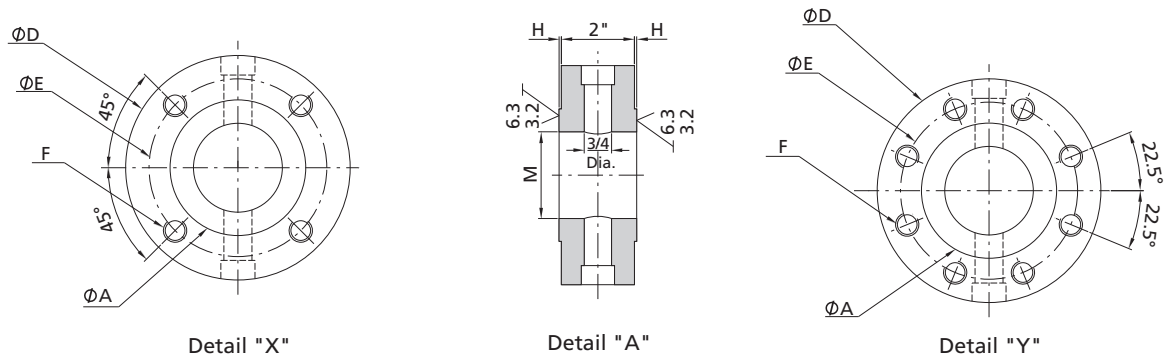
Installation Example



FS Series:
Straight Flush Ring, ANSI RF, with Weld Neck Flange



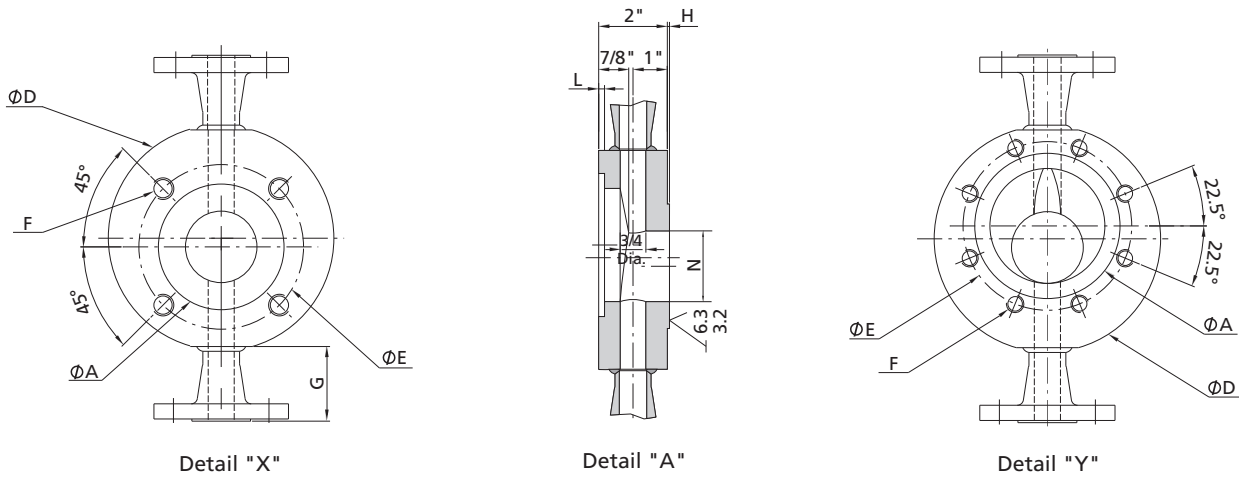
Straight Flush Ring, ANSI RF, with Socket Weld



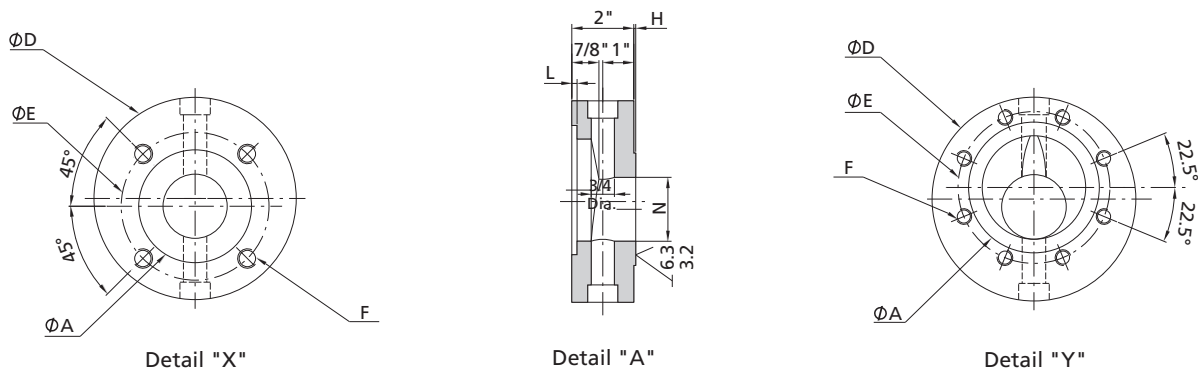
Nominal Pressure	Nominal size	Dimension, (in.)							
		ΦA	ΦD	ΦE	F	G	H	M	Detail
Class 150	1	2	4 1/4	3 1/8	NOTE: 1	25/32	1/16	1 1/16	X
	1 1/2	2 7/8	5	3 7/8	NOTE: 1	25/32	1/16	1 5/8	X
	2	3 5/8	6	4 3/4	NOTE: 2	25/32	1/16	2 3/8	X
	3	5	7 1/2	6	NOTE: 2	25/32	1/16	3 1/2	X
	4	6 3/16	9	7 1/2	NOTE: 4	25/32	1/16	4 1/16	Y
Class 300	1	2	4 7/8	3 1/2	NOTE: 2	2 11/32	1/16	1 1/16	X
	1 1/2	2 7/8	6 1/8	4 1/2	NOTE: 3	2 11/32	1/16	1 5/8	X
	2	3 5/8	6 1/2	5	NOTE: 4	2 11/32	1/16	2 3/8	Y
	3	5	8 1/4	6 5/8	NOTE: 5	2 11/32	1/16	3 1/2	Y
	4	6 3/16	10	7 7/8	NOTE: 5	2 11/32	1/16	4 1/16	Y
Class 600	1	2	4 7/8	3 1/2	NOTE: 2	2 11/32	1/4	1 1/16	X
	1 1/2	2 7/8	6 1/8	4 1/2	NOTE: 3	2 11/32	1/4	1 5/8	X
	2	3 5/8	6 1/2	5	NOTE: 4	2 11/32	1/4	2 3/8	Y
	3	5	8 1/4	6 5/8	NOTE: 5	2 11/32	1/4	3 1/2	Y
	4	6 3/16	10 3/4	8 1/2	NOTE: 6	2 11/32	1/4	4 1/16	Y

FE Series:

Eccentric Flush Ring, ANSI RF, with Weld Neck Flange



Eccentric Flush Ring, ANSI RF, with Socket Weld

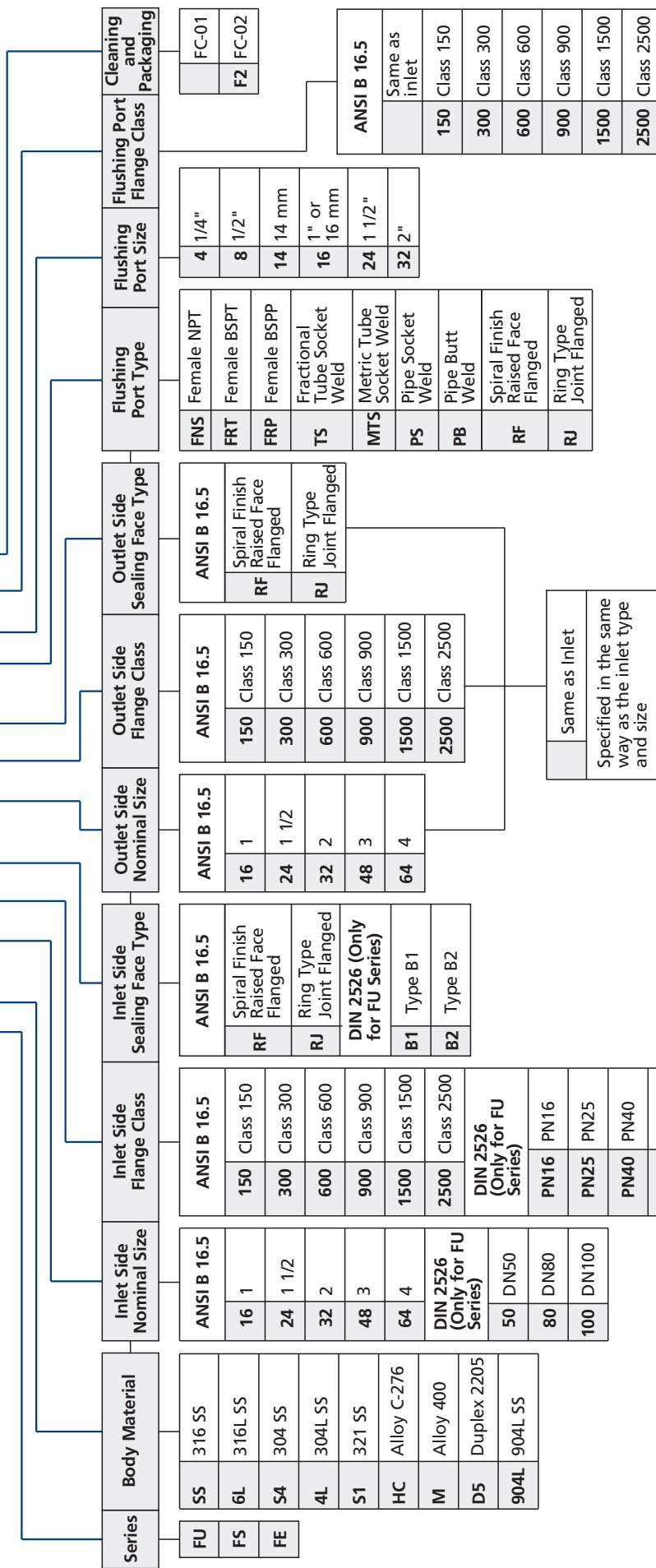


Pressure Ratings	Nominal Size	Dimension, (in.)							Detail
		ΦA	ΦD	ΦE	F	G	H	N	
Class 150	1 1/2	2 7/8	6 1/4	3 7/8	NOTE: 1	2 5/32	1/16	1 5/8	X
	2	3 5/8	6 1/2	4 3/4	NOTE: 2	2 5/32	1/16	2 1/16	X
	3	5	7 1/2	6	NOTE: 2	2 5/32	1/16	3 1/16	X
Class 300	1 1/2	2 7/8	6 3/4	4 1/2	NOTE: 3	2 11/32	1/16	1 5/8	X
	2	3 5/8	6 3/4	5	NOTE: 4	2 11/32	1/16	2 1/16	Y
	3	5	8 1/4	6 5/8	NOTE: 5	2 11/32	1/16	3 1/2	Y

1) Drill & tap for 1/2"-13 UNC-2A stud x 0.63" DP., (4) places. Max. drill point depth from drilling surface = 0.925".
 2) Drill & tap for 1/2"-13 UNC-2A stud x 0.63" DP., (8) places. Max. drill point depth from drilling surface = 0.925".
 3) Drill & tap for 5/8"-11 UNC-2A stud x 0.72" DP., (4) places. Max. drill point depth from drilling surface = 0.987".
 4) Drill & tap for 5/8"-11 UNC-2A stud x 0.72" DP., (8) places. Max. drill point depth from drilling surface = 0.987".
 5) Drill & tap for 3/4"-10 UNC-2A stud x 0.87" DP., (4) places. Max. drill point depth from drilling surface = 1.165".
 6) Drill & tap for 3/4"-10 UNC-2A stud x 0.87" DP., (8) places. Max. drill point depth from drilling surface = 1.165".

Part Number Description

FESS – 16150RF – 32300RJ – RF32150F2



Note: "Part Number Description" is used for composition rules of FITOK product model, Not suitable for specific product part number selection, not random combinations. If in doubt, please contact FITOK group or authorized agent.

Same as Inlet
Specified in the same way as the inlet type and size

Cleaning and Packaging:
 FC-01: Standard cleaning and packaging for general industrial procedures.
 FC-02: Special cleaning and packaging for wetted system components to ensure compliance with product cleaning requirement as stated in ASTM G93 Level C.

info@fitokgroup.com
www.fitokgroup.com

FK-IC-GO-04-EN-160918